

***Models C30/C30D and C40D
Illustrated Parts Catalog***

Illustrated Parts Catalog

This section identifies and illustrates the parts for the printer that can be replaced by the customer and by a field service representative.

The catalog is organized according to the general interior locations of the printer. Each location includes an illustration of the parts within it and a chart listing the corresponding part numbers, names, and descriptions.

To locate a specific part, you have several alternatives:

- If you know the part number, turn to the part number locator beginning on [page 63](#) of this section. Here you will find a cross-reference chart that tells you the page on which the part is illustrated.
- If you know the general location of the part, turn to the contents listing on the next page. Scan the general locations until you find the appropriate one. Then, turn to the page listed to find the part illustration.
- If the part is more general in nature (for example, fuses, lubricants, manuals, or maintenance kits), turn to [page 43](#) where you will find a listing of unillustrated parts.

Contents

Printer Supplies Customer Can Install	page 4
Front View	page 6
Operator Panel	page 10
Cassette Release Assembly	page 12
Cassette Mount Assemblies	page 14
AC Power Supply	page 16
Duplex Mechanism, Top View	page 18
Duplex Mechanism	page 20
Paper Output Area	page 22
Upper Paper Guide Assembly	page 24
Vacuum Transport Unit	page 26
Job Exit Assembly	page 28
Back View	page 30
Paper Feed Roller	page 32
Tune-Up Print Maintenance Kit	page 34
Main Drive Assemblies	page 36
Back Cover	page 38
Duplex Holding Tray	page 40
1200/2500 Sheet High Capacity Input Unit - Main Front View	page 46
1200/2500 Sheet High Capacity Input Unit - Detailed Front View	page 48
1200/2500 Sheet High Capacity Input Unit - Main Rear View	page 50
1200/2500 Sheet High Capacity Input Unit - Detailed Rear View	page 52
1400 Sheet High Capacity Output Unit - Main Front View	page 54
1400 Sheet High Capacity Output Unit - Detailed Front View	page 56
1400 Sheet High Capacity Output Unit - Main Rear View	page 58
1400 Sheet High Capacity Output Unit - Detailed Rear View	page 60

Printer Supplies Customer Can Install

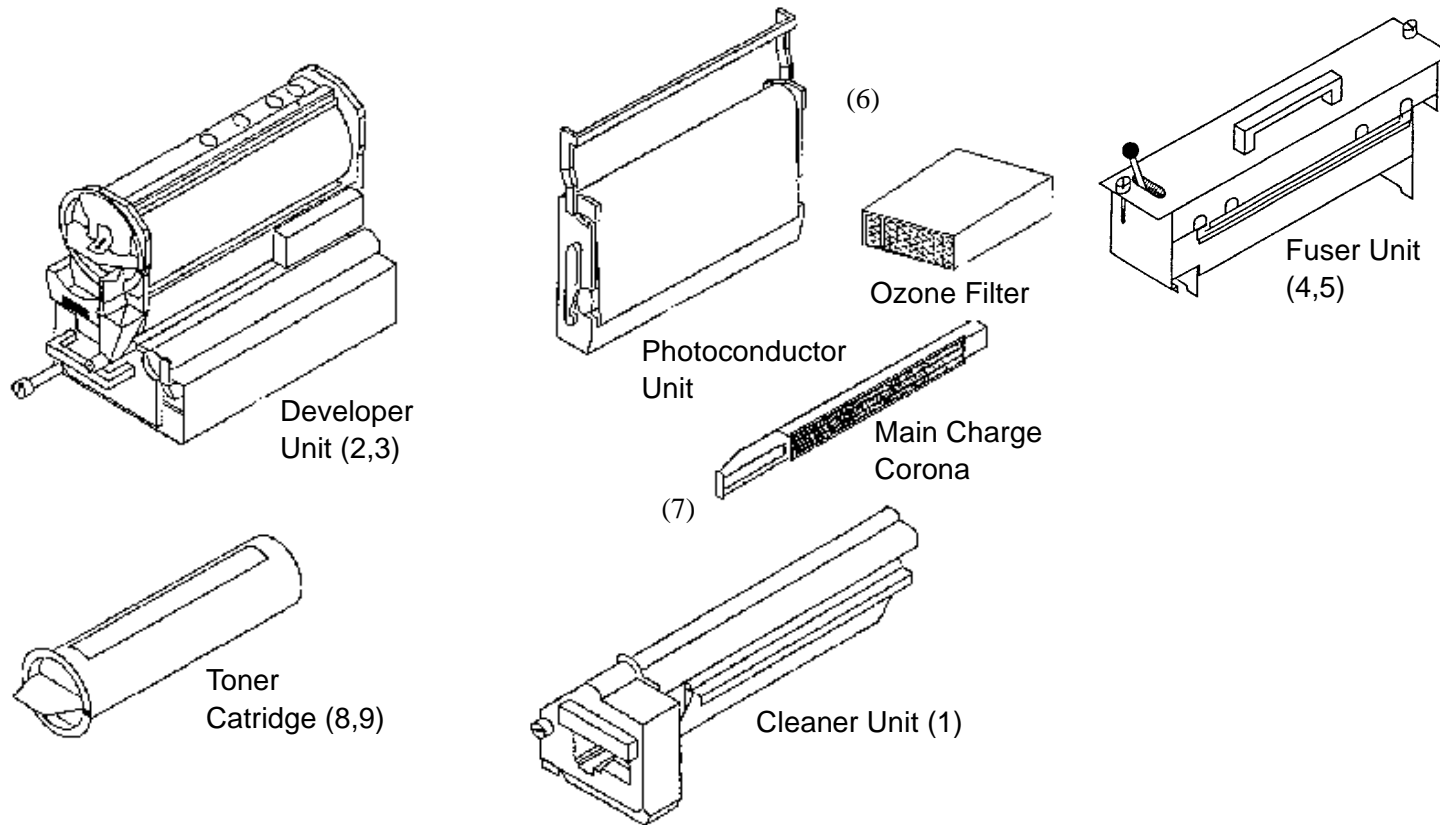
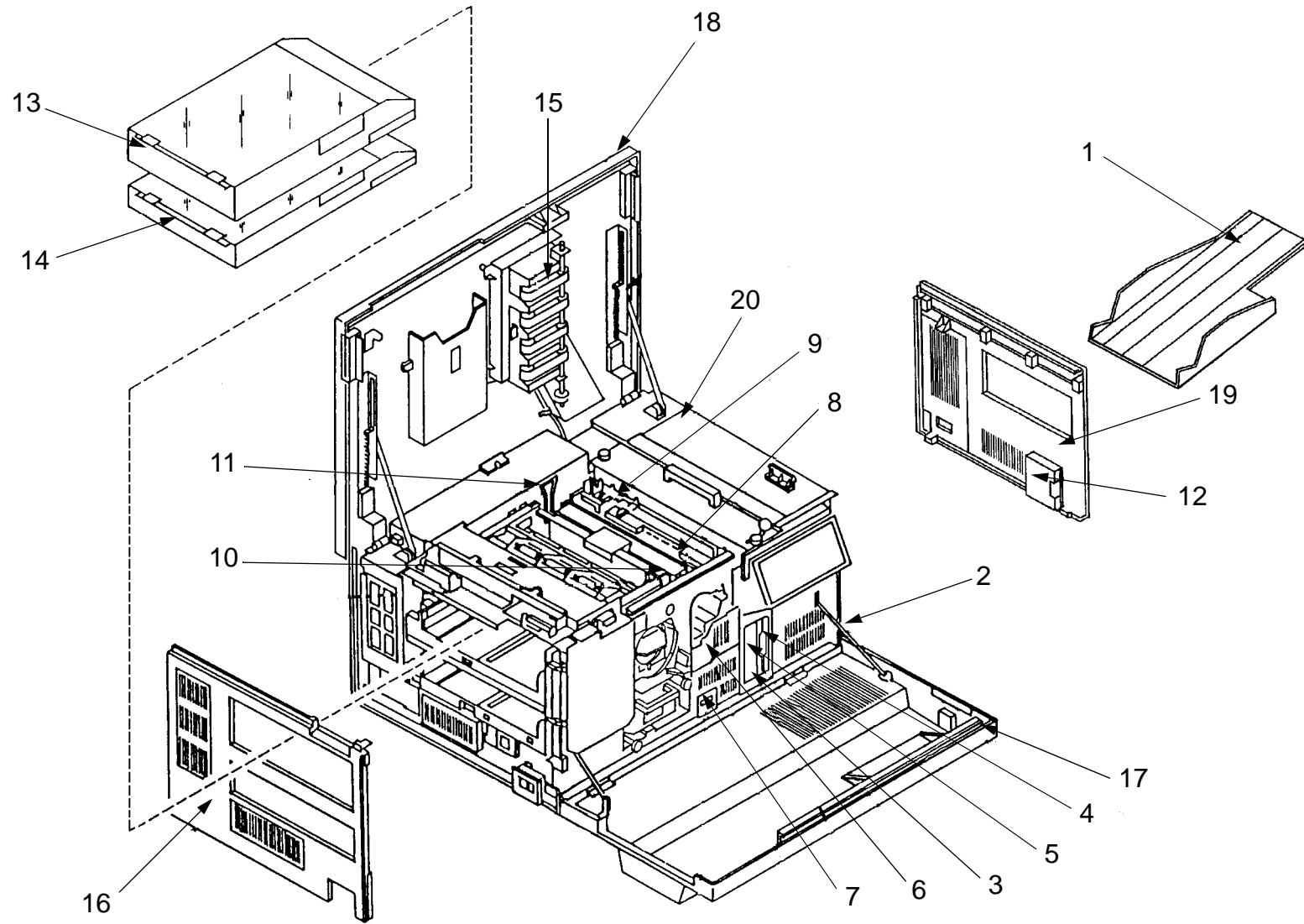


Table 1 **Printer Supplies List**

Item	Product Number	Description	C30	C30D	C40D
1	C4011A	Cleaner unit	◆	◆	◆
2	C4015A	Developer unit (C30/C30D)	◆	◆	
3	C4677A	Developer unit with ozone filter (C40D)			◆
4	C4675A	Fuser unit (100/127 VAC)	◆	◆	◆
5	C4676A	Fuser unit (200/240 VAC)	◆	◆	◆
6	C4682A	C30/C30D Photoconductor unit (includes main charge corona and ozone filter)	◆	◆	
6	C4683A	C40D Photoconductor unit (includes main charge corona and ozone filter)			◆
7	11000214KT	C30/C30D Charge corona kit (contains 2 main charge coronas)	◆	◆	
7	11000215KT	C40D Charge corona kit (contains 2 main charge coronas)			◆
8	C4006A	Toner cartridge (2 per package)	◆	◆	◆
9	C4007A	Toner cartridge (8 per package)	◆	◆	◆

Front View



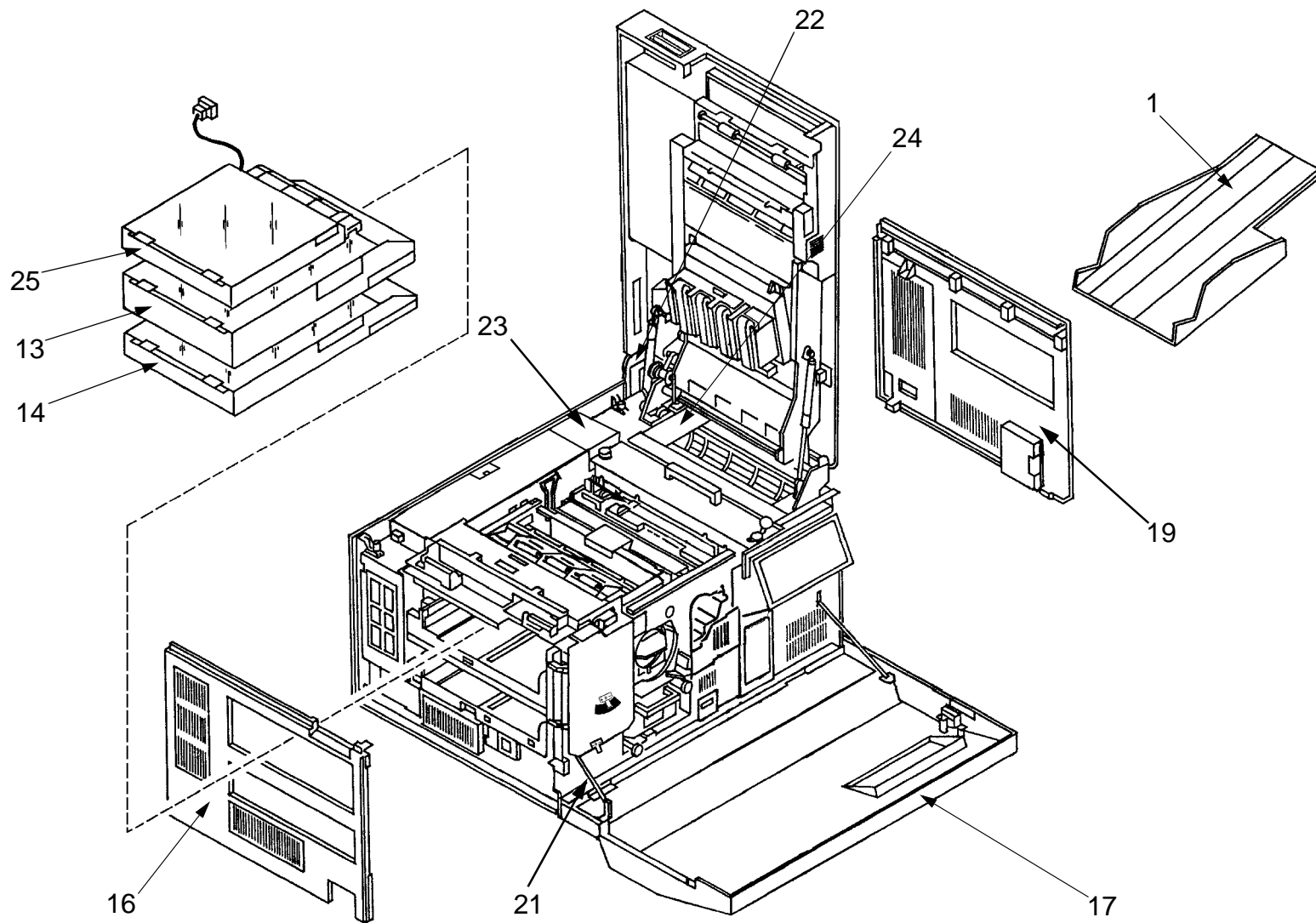
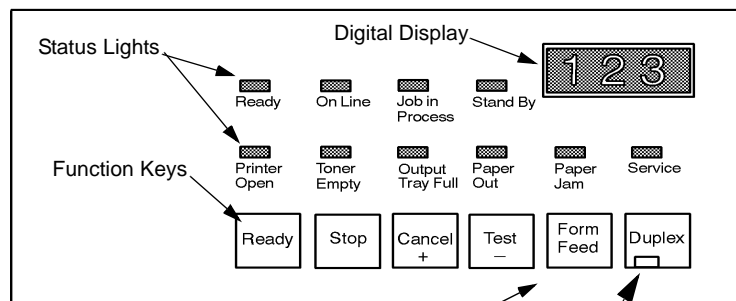
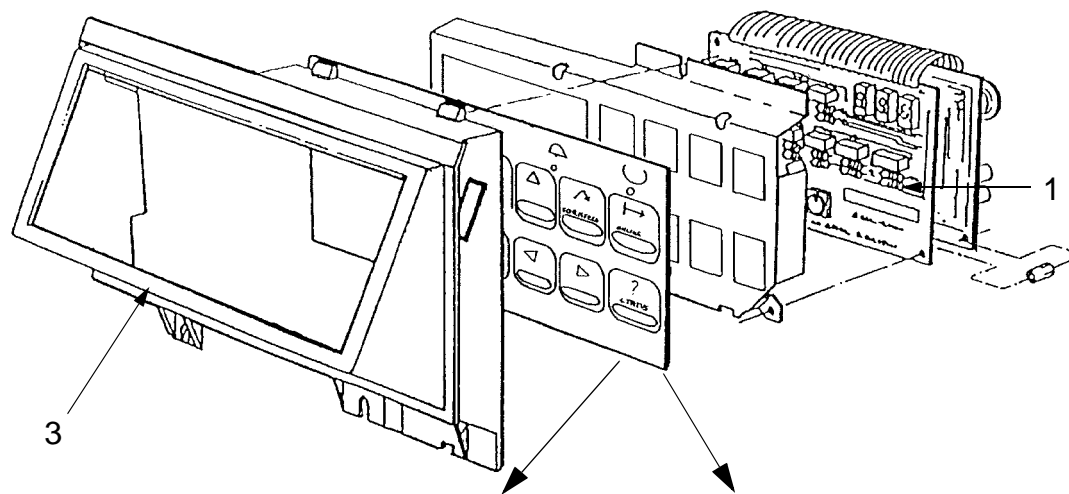


Table 2 **Front View Parts List**

Item	Ref # Part #	Description	Qty	C30	C30D	C40D
1	73860006KT	Tray, paper output	1	◆	◆	◆
2	21421610KT	Strap, front cover support, right	1	◆	◆	◆
3		Drive assembly (two floppy drives)	1	◆	◆	
4	11000130KT	Floppy drive (only)	1	◆	◆	◆
5	11000253KT	Hard drive (only)	1	◆	◆	
5	11000137KT	C40D Pre-Loaded Disk (HP internal use only)	1			◆
6	51020795KT	Print head assembly (300 dpi)	1	◆	◆	
6	81020108KT	Print head assembly (300 dpi)	1			◆
7	51020058KT	Counter	1	◆	◆	◆
8	51020018KT	Erase lamp assembly	1	◆	◆	
8	81020153KT	Erase lamp assembly	1			◆
9	55020331KT	Cover, EP	1	◆	◆	◆
10	51020106KT	PC guide, front	1	◆	◆	◆
11	51020107KT	PC guide, rear	1	◆	◆	◆
12		Case, maintenance kit	1	◆	◆	◆
13		Paper cassette, upper	1	◆	◆	◆
14		Paper cassette, lower	1	◆	◆	◆
15	61020023KT	Vacuum transport assembly	1	◆	◆	
15	81120025KT	Vacuum transport assembly	1			◆
16	73820006KT	Cover, left	1	◆	◆	◆
17		Cover assembly, front	1	◆		
17	73920009KT	Cover assembly, front	1		◆	
17		Cover assembly, front	1			◆
18		Cover assembly, top	1	◆		
19	73920011KT	Right cover	1	◆	◆	◆
20		Cover, exit assembly	1	◆		
21	51220072KT	Strap, front cover support, left	1		◆	◆
22		Hinge, back cover	1		◆	◆
23	55020350KT	Fan, duplex	1		◆	
24		Frame, exit assembly	1		◆	◆
25	81620012KT	Duplex registration tray, complete	1		◆	◆

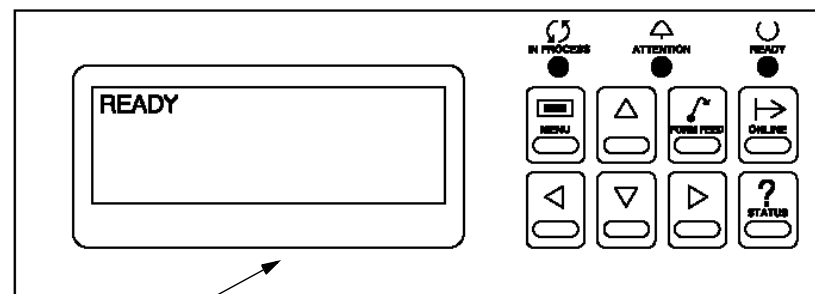
This page left intentionally blank

Operator Panel



C30/30D Control Panel

Duplex only
(button not shown
on simplex model)



C40 Control Panel

Table 3 ***Operator Panel Parts List***

Item	Part Number	Description	Qty	C30	C30D	C40D
0	73820020KT	C30 Operator Panel Assembly, English (includes all parts shown)	1	◆		
0	73920014KT	C30D Operator Panel Assembly, English (includes all parts shown)	1		◆	
0	81620008KT	Universal LCD Operator Panel Assembly (includes all parts shown)	1			◆
1	51020256KT	Operator Panel PCA	1	◆		
1	62020046KT	Operator Panel PCA	1		◆	
2		C30 Operator Overlay	1	◆		
2		C30D Operator Overlay	1		◆	
2	81620021KT	C40D Operator Overlay	1			◆
3	73820010KT	Bezel, Operator Panel	1	◆	◆	◆

Cassette Release Assembly

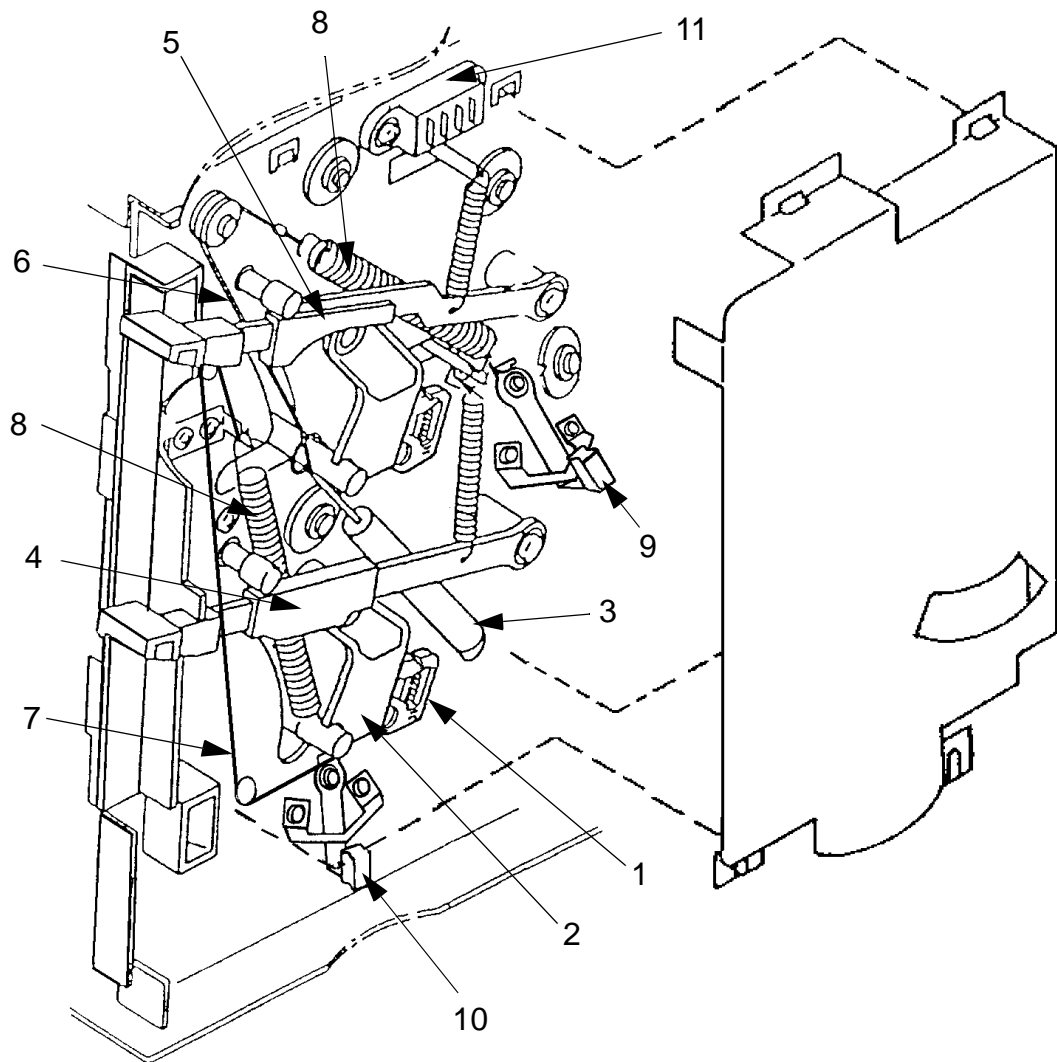


Table 4 *Cassette Release Assembly Parts List*

Item	Part Number	Description	Qty	C30	C30D	C40D
1	21422770KT	Cam, cassette release	2	◆	◆	◆
2	21420074KT	Latch, cassette release	2	◆	◆	◆
3		Damper assembly	1	◆	◆	◆
4	51220123KT	Lever, lower cassette release	1	◆	◆	◆
5	21421570KT	Lever, upper cassette release	1	◆	◆	◆
6	NLA	Wire cable, upper	1	◆	◆	◆
7	51220127KT	Wire cable, lower	1	◆	◆	◆
8		Spring	1	◆	◆	◆
9	51220128KT	Lever, upper paper pick pressure	1	◆	◆	◆
10	51220131KT	Lever, lower paper pick pressure	1	◆	◆	◆
11	21420683KT	Catch, magnet	1	◆	◆	◆

Cassette Mount Assemblies

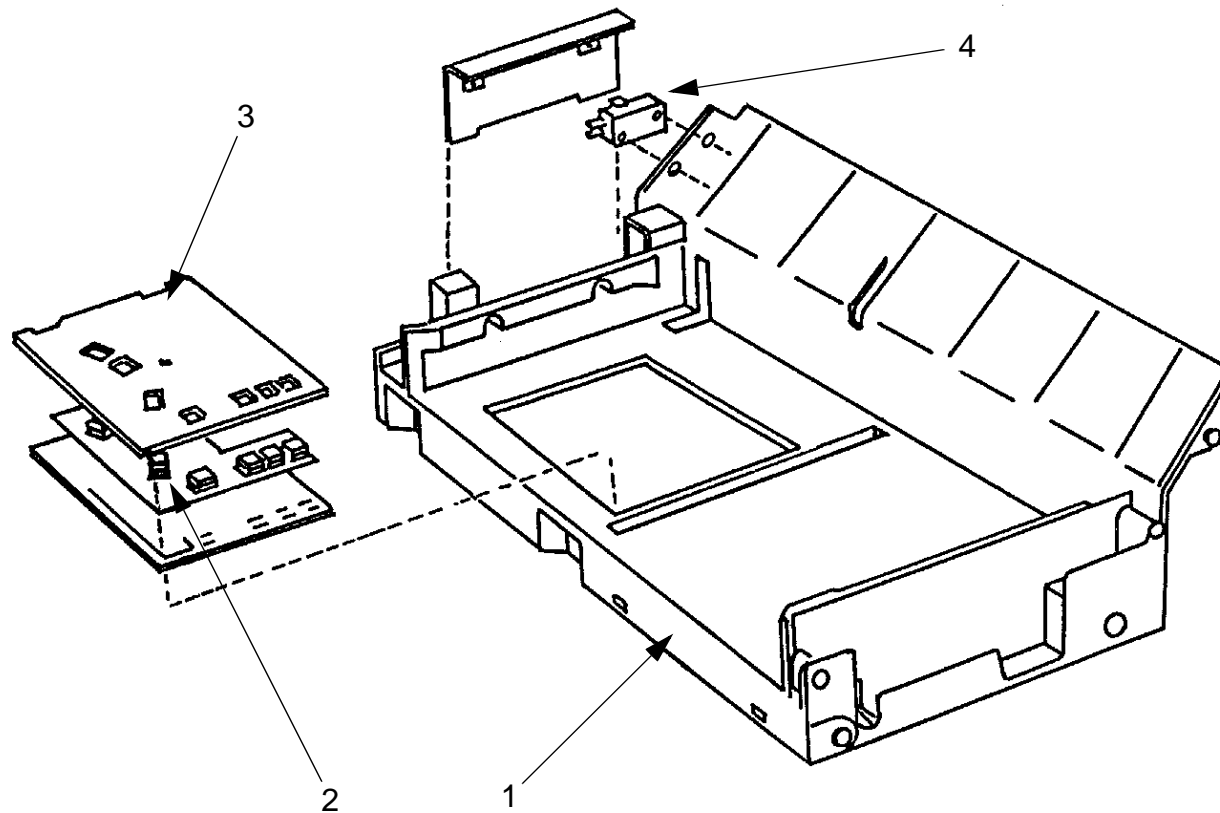


Table 5 *Upper Cassette Mount Assemblies Parts List*

Item	Part Number	Description	Qty	C30	C30D	C40D
1		Mount, upper cassette	1	◆	◆	◆
2	21421209KT	Sensor assembly, upper paper size	1	◆	◆	◆
3		Mount, paper size sensor	1	◆	◆	◆
4	21421937KT	Switch, micro, cassette present	1	◆	◆	◆

Table 6 *Lower Cassette Mount Assemblies Parts List*

Item	Part Number	Description	Qty	C30	C30D	C40D
1		Mount, lower cassette	1	◆	◆	◆
2	21421333KT	Sensor assembly, lower paper size	1	◆	◆	◆
3		Mount, paper size sensor	1	◆	◆	◆
4	21421937KT	Switch, micro, cassette present	1	◆	◆	◆

AC Power Supply

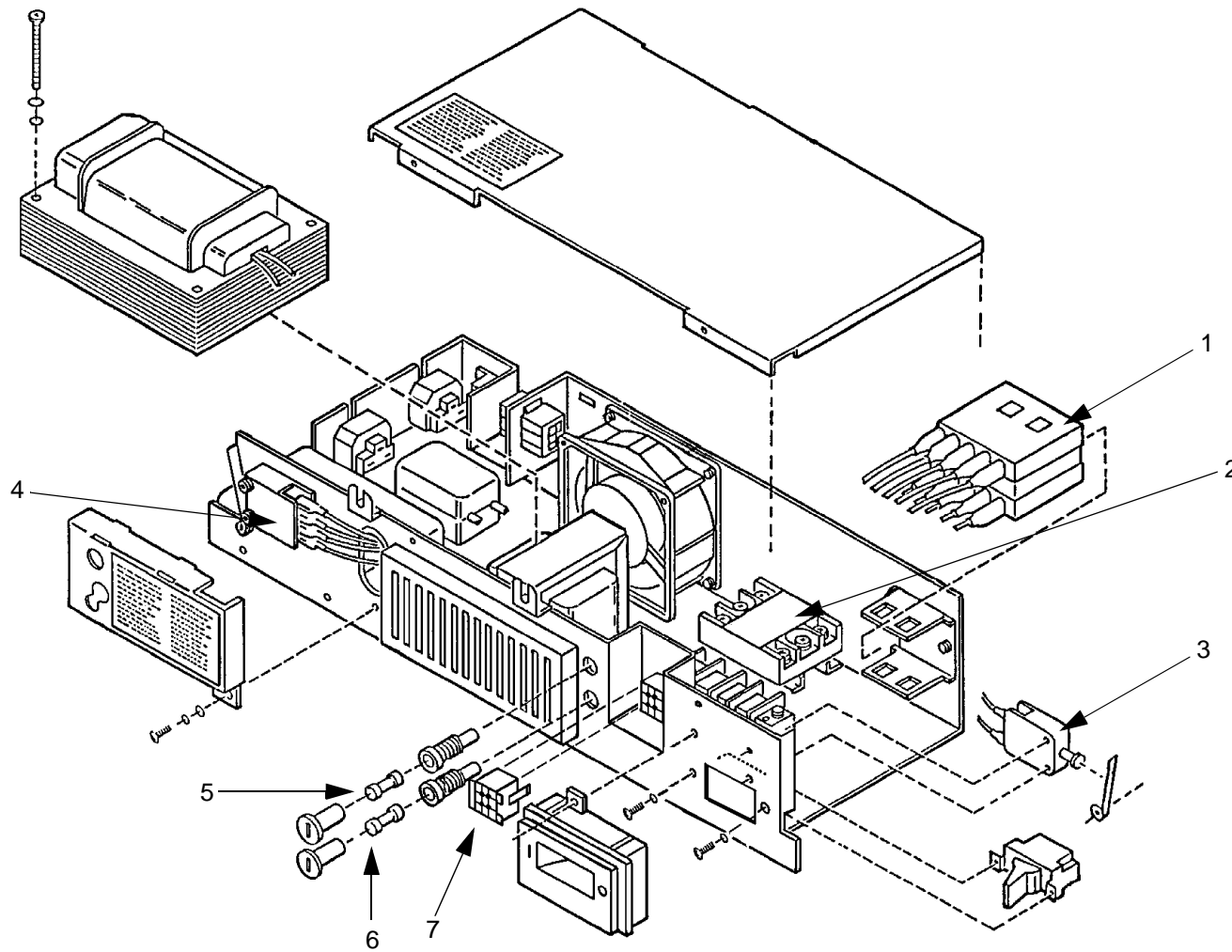


Table 7 AC Power Supply Parts List

Item	Part Number	Description	Qty	C30	C30D	C40D
0	55030024KT	AC power supply assembly (includes all parts shown)	1	◆	◆	◆
1		Relay, AC power supply	1	◆	◆	◆
2		Relay, fuser, solid state	1	◆	◆	◆
3	21420515KT	Switch, interlock, front	1	◆	◆	◆
4	21421962KT	Switch, interlock, rear	1	◆	◆	◆
5		Fuse, upper (3.15A/250V)	1	◆	◆	◆
6		Fuse, lower (2A/250V)	1	◆	◆	◆
7	55020482KT	Plug, input, voltage set, 120V	1	◆	◆	◆
7		Plug, input, voltage set, 200V	1	◆	◆	◆
7	55020489KT	Plug, input, voltage set, 220V	1	◆	◆	◆
7	55020490KT	Plug, input, voltage set, 230V	1	◆	◆	◆
7	55020491KT	Plug, input, voltage set, 240V	1	◆	◆	◆
7		Plug, input, voltage set, 100V	1	◆	◆	◆

Duplex Mechanism, Top View

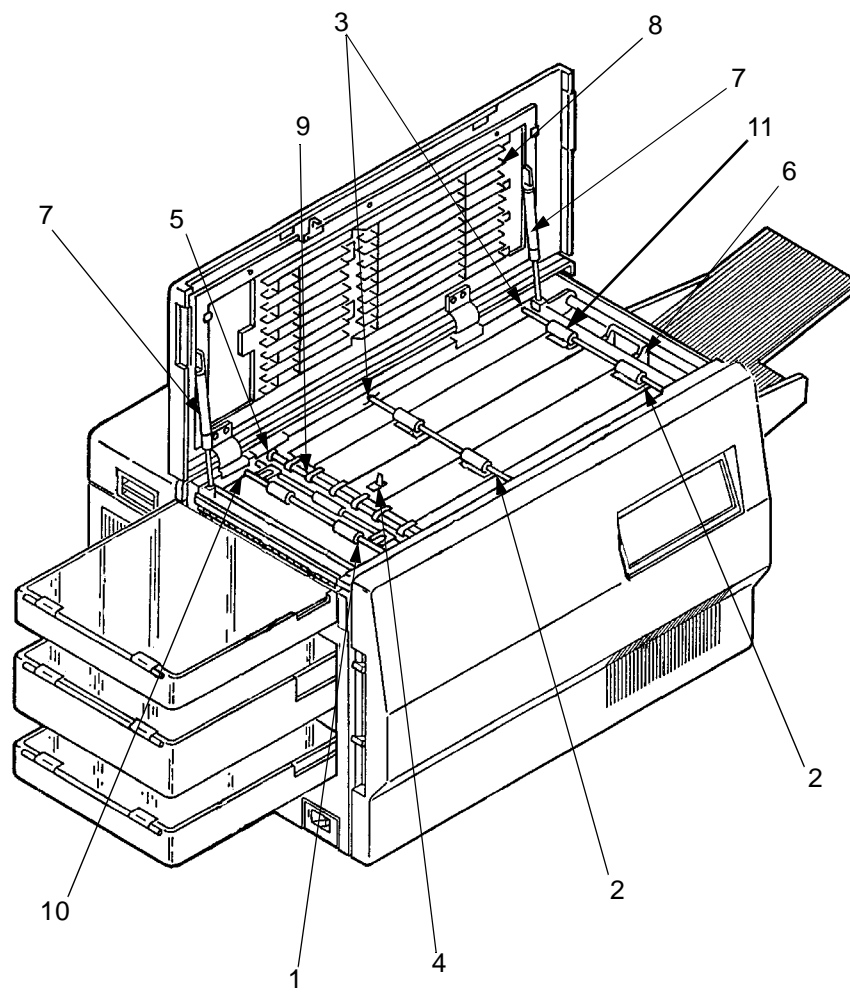


Table 8 Duplex Mechanism, Top View Parts List

Item	Part Number	Description	Qty	C30	C30D	C40D
1	55020261KT	Duplex C roller pinch assembly	1		◆	◆
2	55020251KT	Duplex AB pinch roller assembly	2		◆	◆
3	55020116KT	Spring A and B roller	4		◆	◆
4	55020255KT	Sensor, paper path	1		◆	◆
5	55020028KT	Spring, route separator"	1		◆	◆
6	55020244KT	Upper turn around guide	1		◆	◆
7	55020285KT	Duplex Cover Gas Support	2		◆	◆
8		Guide top	1		◆	◆
9	55020263KT	Entry route separator assembly	1		◆	◆
10		Spring, C roller	2		◆	◆
11	55020052KT	Pinch roller only	9		◆	◆

Duplex Mechanism

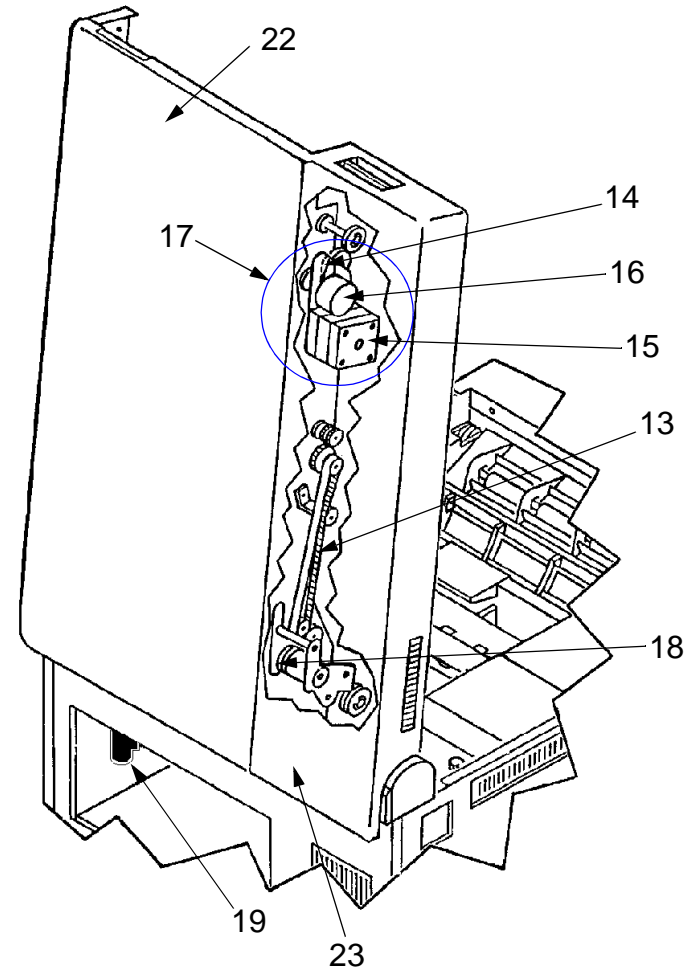
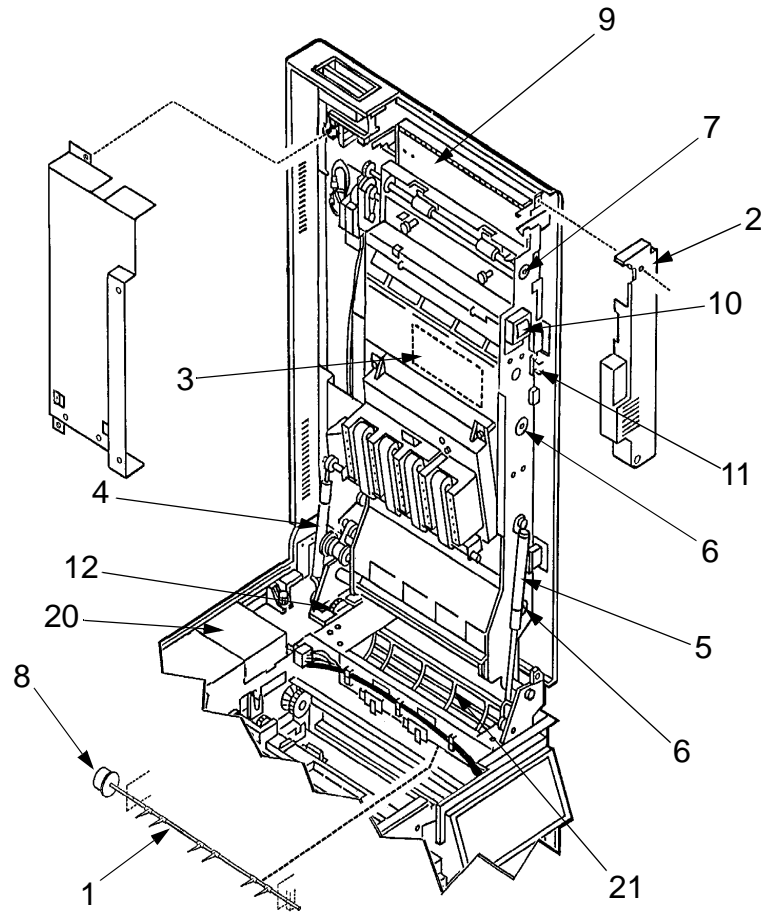


Table 9 Duplex Mechanism Parts List

Item	Part Number	Description	Qty	C30D	C40D
1	55020231KT	Exit route separator assembly	1	◆	◆
2		Cover mechanism, front	1	◆	◆
3	55020020KT	Duplex control board # 1	1	◆	
3	81120051KT	Duplex control board # 1	1		◆
4	55020019KT	Top Cover Support, Rear	1	◆	◆
5	55020257KT	Top Cover Support, Front	1	◆	◆
6	55020260KT	Roller assembly, A and B feed (with gears and clutches)	2	◆	◆
7	55020022KT	Roller C feed	1	◆	
8	55020248KT	Solenoid, route separator, paper exit, #1	1	◆	◆
9		Plate, discharge	1	◆	◆
10	55020026KT	Solenoid, C roller	1	◆	◆
11	21420290KT	Photocell interrupter	1	◆	◆
12	55020113KT	Gear assembly, duplex drive, lower	1	◆	
12	81120012KT	Gear assembly, duplex drive, lower	1		◆
13	55020024KT	Timing belt #1	1	◆	◆
14	NLA	Timing belt, #2	1	◆	◆
15	NLA	C Motor, stepper	1	◆	
15	NLA	C Motor, stepper	1		◆
16	NLA	Route solenoid, #2	1	◆	◆
17	55020214KT	Duplex route motor assembly (includes 14, 15, and 16)	1	◆	
17	81120021KT	Duplex route motor assembly (includes 14, 15, and 16)	1		◆
18	55020594KT	Duplex drive gear assembly, upper	1	◆	◆
19		Exit tray latch assembly	1	◆	◆
20	55020350KT	Cooling fan, C30D duplex	1	◆	
21	55020196KT	Lower turn around guide	1	◆	◆
22		Top cover, front	1	◆	◆
23		Top cover, rear	1	◆	◆

Paper Output Area

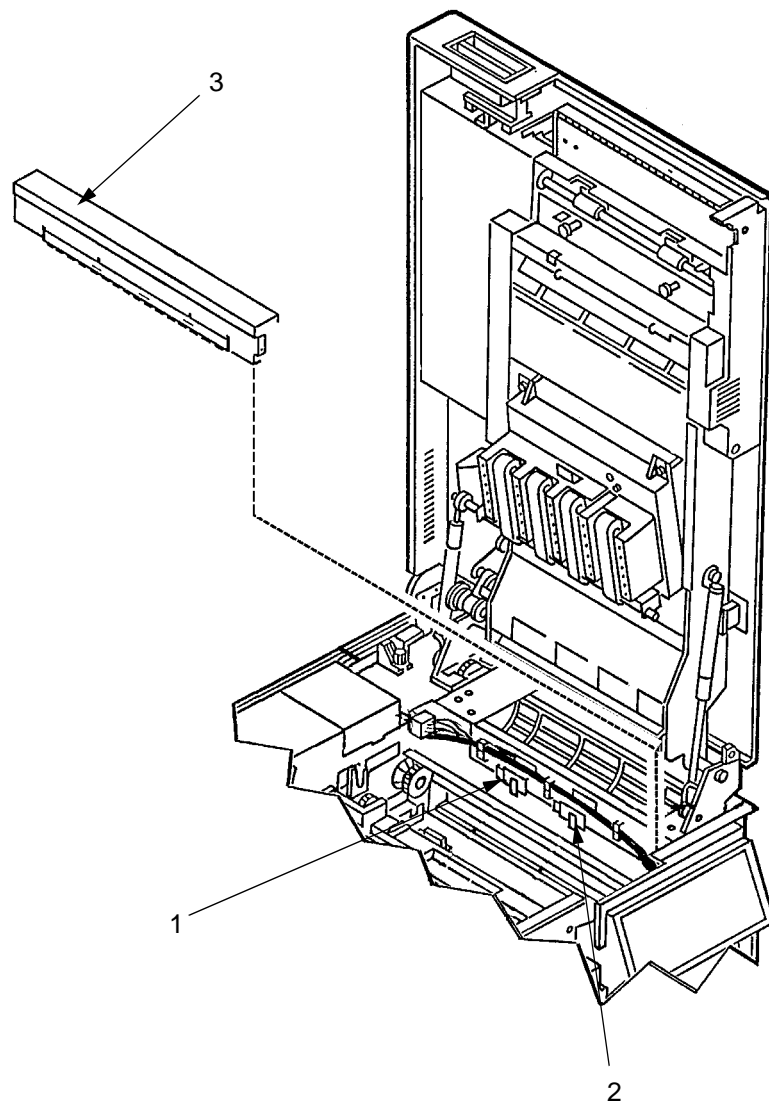


Table 10 ***Paper Output Area Parts List***

Item	Part Number	Description	Qty	C30	C30D	C40D
1	51020077KT	Sensor assembly, paper full	1	◆	◆	◆
2	51020372KT	Sensor assembly, paper exit	1	◆	◆	◆
3	51020062KT	Roller assembly, exit pinch (includes upper static brush)	1	◆	◆	◆

Upper Paper Guide Assembly

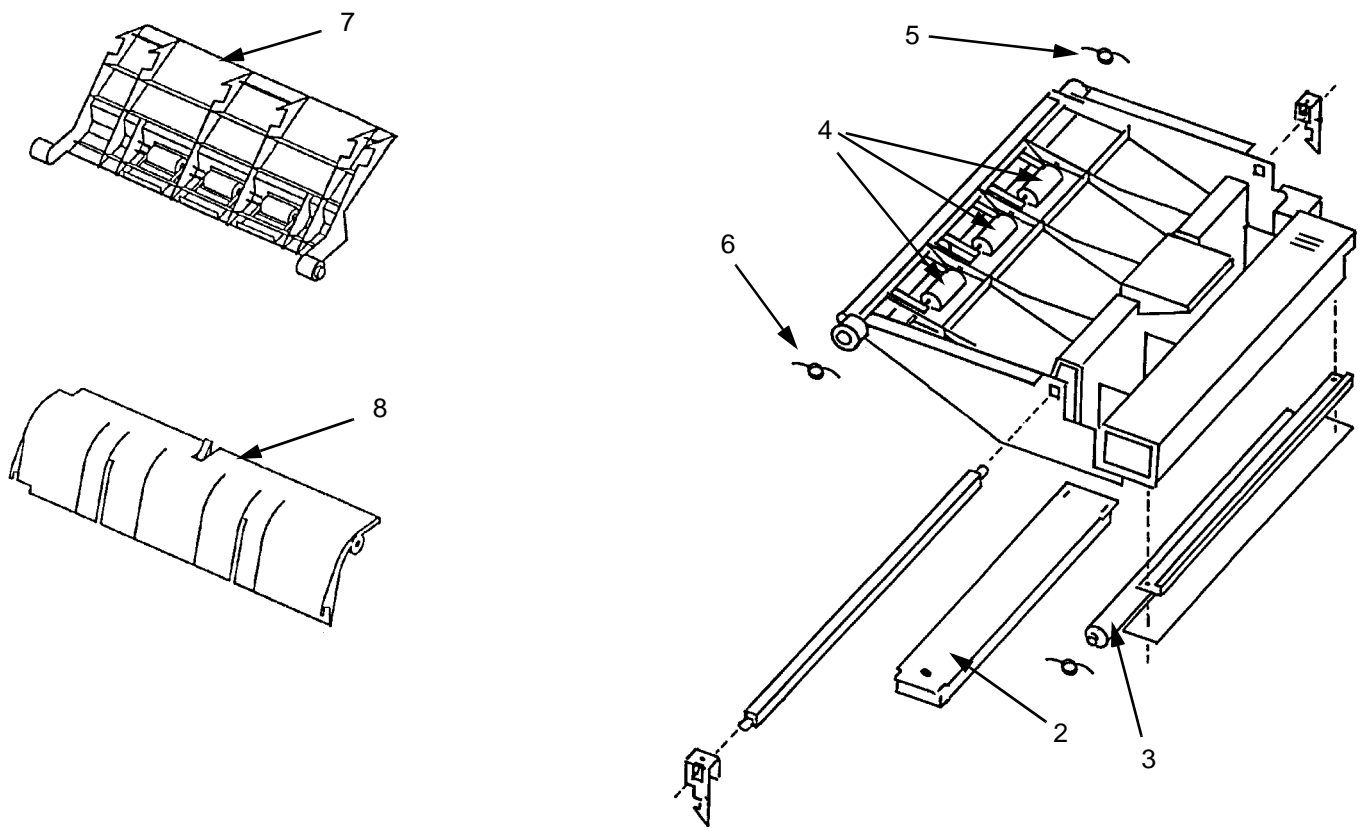


Table 11 Upper Paper Guide Assembly Parts List

Item	Part Number	Description	Qty	C30	C30D	C40D
1	81120042KT	Upper paper guide assembly (includes all parts shown except corona assembly)	1	◆	◆	◆
2	61020150KT	Corona assembly, transfer	1	◆	◆	◆
3	51020629KT	Roller, upper paper guide	1	◆	◆	
4	55020052KT	Pinch roller	3	◆	◆	
5	81020159KT	Upper Guide Spring, Rear	1	◆	◆	◆
6	81020160KT	Upper Guide Spring, Front	1	◆	◆	◆
7	21423777KT	Lower paper guide assembly	1	◆	◆	◆
8	81020137KT	Guide, paper timing (including timing sensor and wire harness W-54)	1	◆	◆	◆

Table 12 Lower Paper Guide Assembly Parts List

7	21423777KT	Lower paper guide assembly	1	◆	◆	◆
---	------------	----------------------------	---	---	---	---

Table 13 Paper Timing Guide Assembly Parts List

8	81020137KT	Guide, paper timing (including timing sensor and wire harness W-54)	1	◆	◆	◆
---	------------	---	---	---	---	---

Vacuum Transport Unit

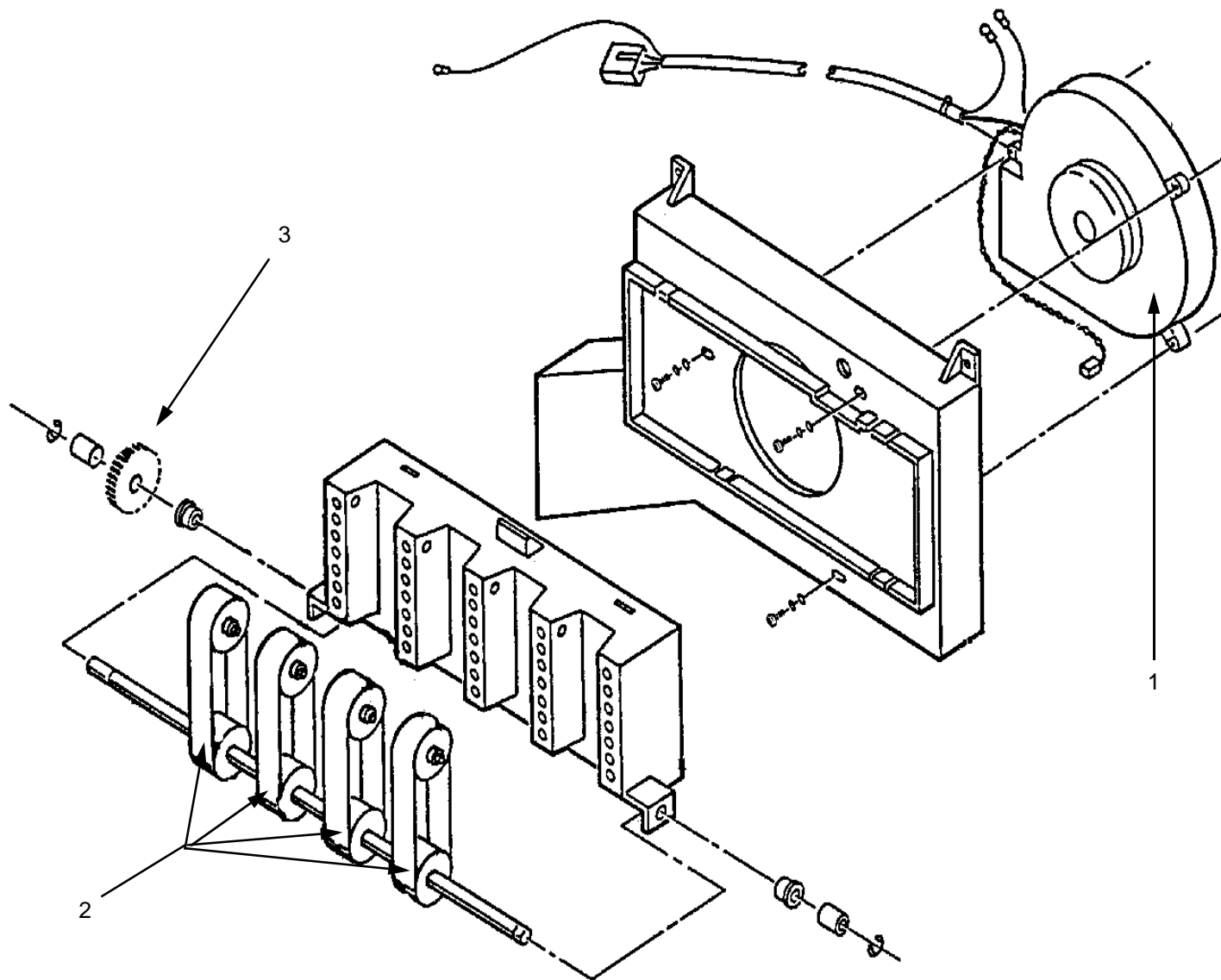


Table 14 Vacuum Transport Unit Parts List

Item	Part Number	Description	Qty	C30	C30D	C40D
0	61020023KT	Vacuum transport assembly (all parts shown)	1	◆	◆	
0	81120025KT	Vacuum transport assembly (all parts shown)	1			◆
1		Blower	1	◆	◆	
1		Blower	1			◆
2	21420894KT	Belt, vacuum transport	4	◆	◆	◆
3	21420896KT	Gear, drive, vacuum transport	1	◆	◆	◆

Job Exit Assembly

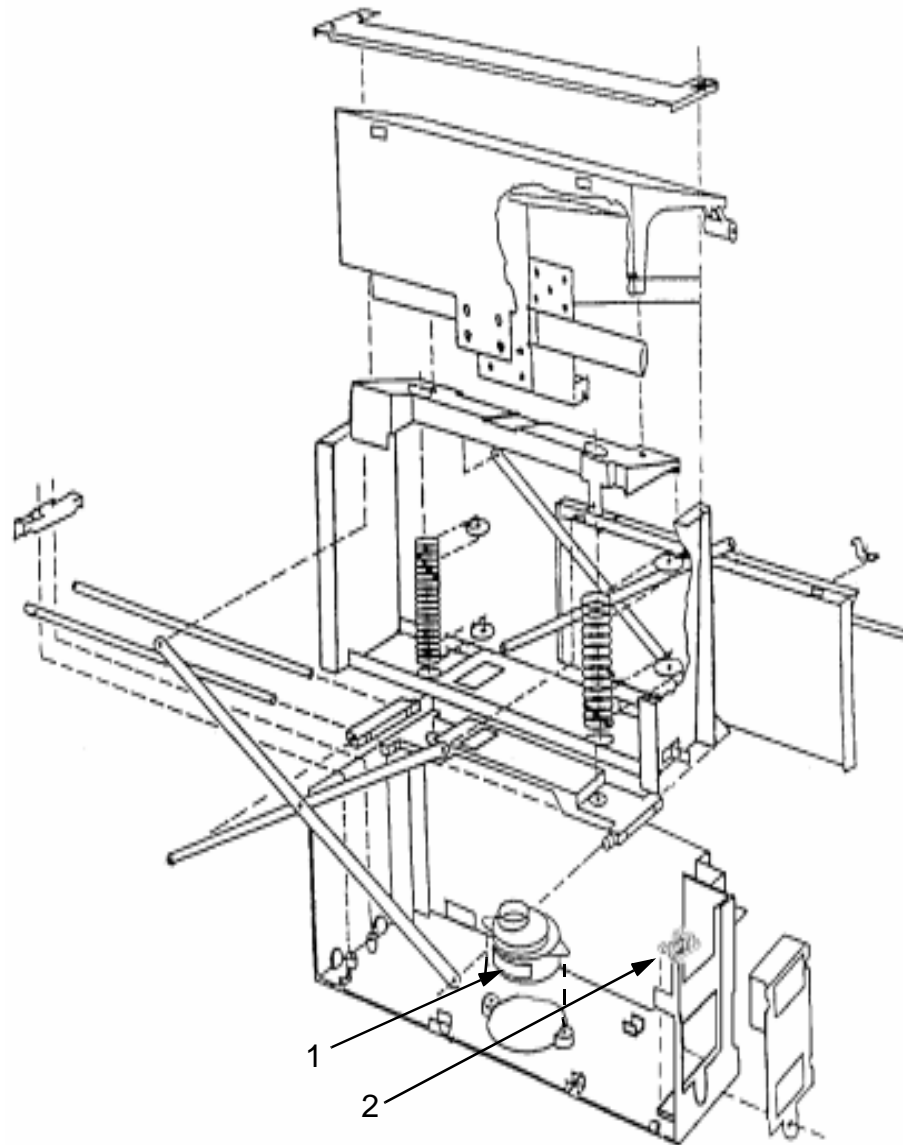


Table 15 *Job Exit Assembly Parts List*

Item	Part Number	Description	Qty	C30	C30D	C40D
0	73820027KT	Job offset assembly	1	◆	◆	
0		Job exit assembly	1			◆
1		Jogging motor	1	◆	◆	
2	21420290KT	Photocell interrupter	2	◆	◆	

Back View

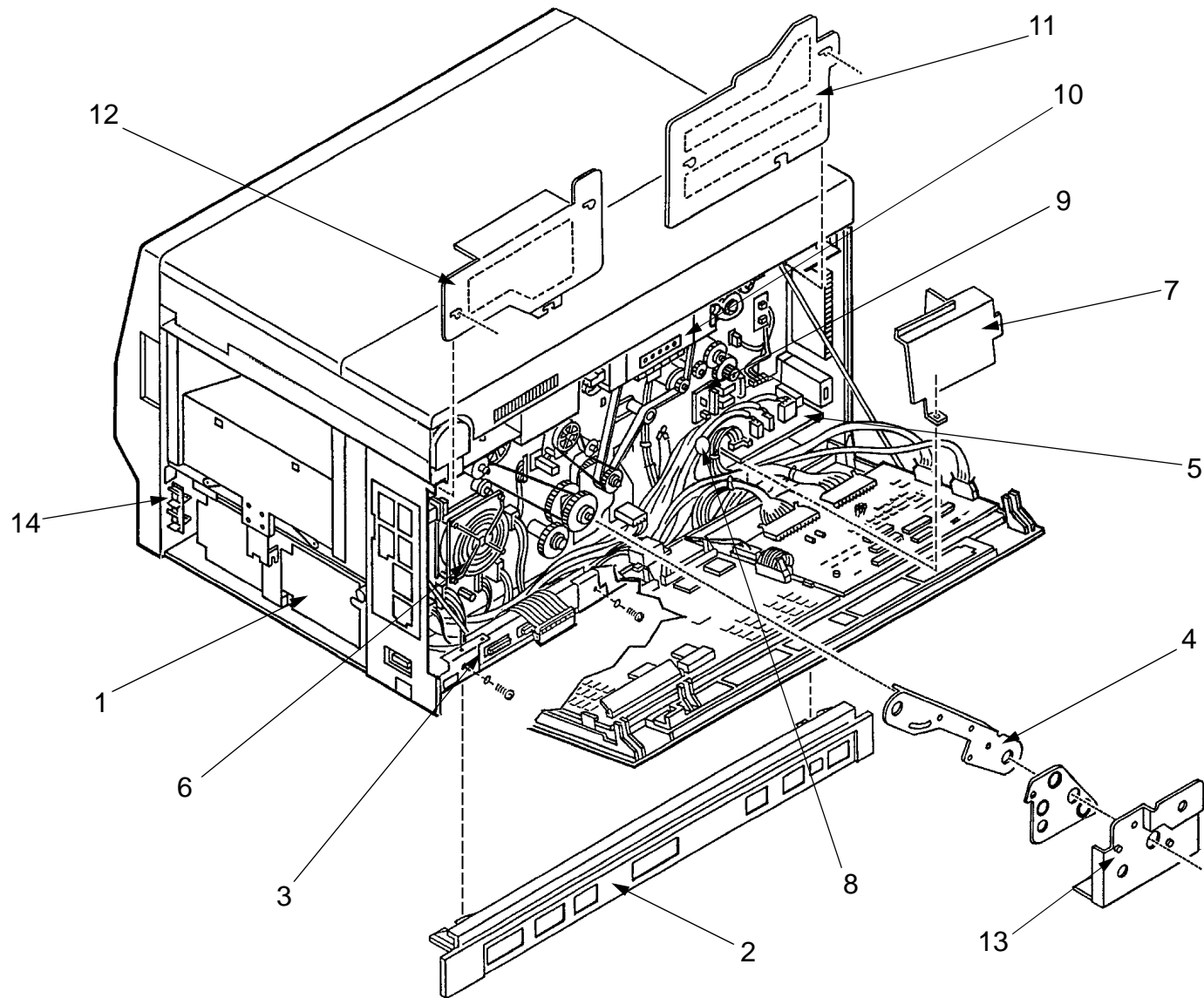
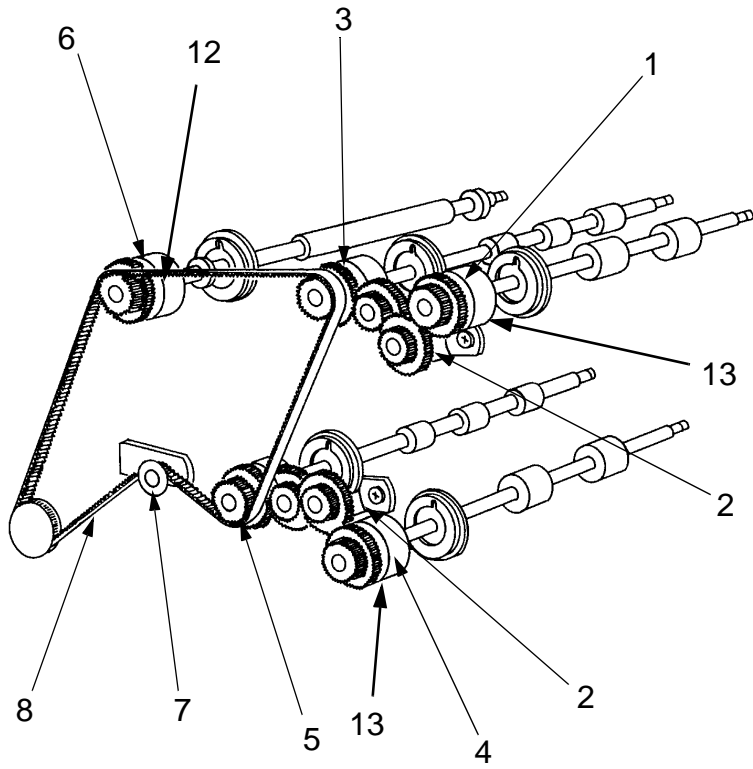


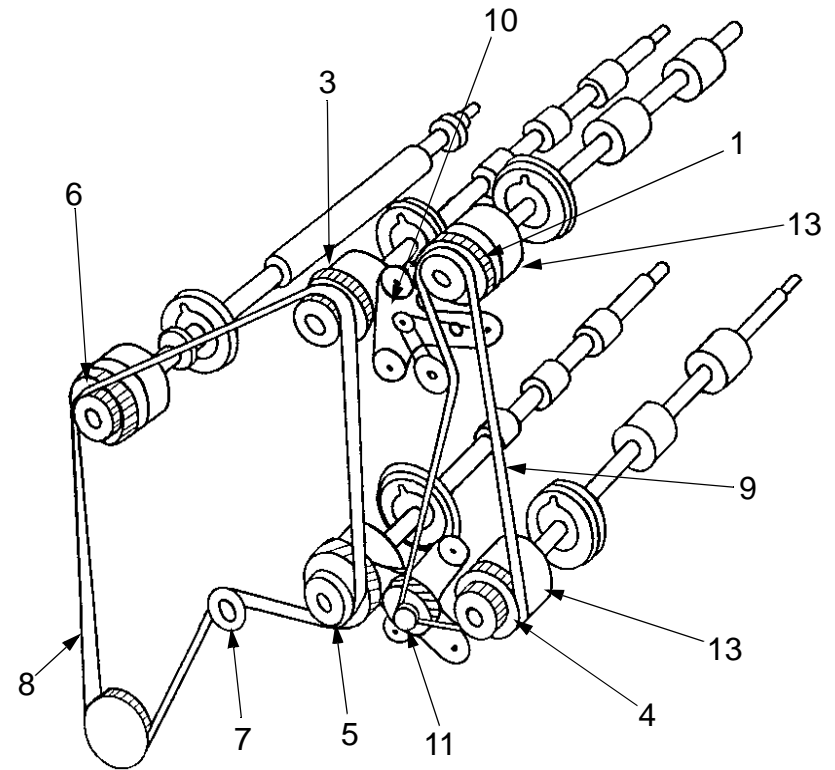
Table 16 Back View Parts List

Item	Part Number	Description	Qty	C30	C30D	C40D
1	61020281KT	DC power supply, universal	1	◆	◆	◆
2		Cover, lower back, 100-240 VAC	1	◆	◆	
3	61020072KT	Signal interface board	1	◆	◆	
3	11000059KT	Serial/Parallel I/O PCA	1			◆
4		Gear stay	1	◆	◆	◆
5	51020088KT	Power control board	1	◆	◆	◆
6	51020682KT	Fan, main cooling assembly	1	◆	◆	◆
7		Cover, power control board	1	◆	◆	◆
8	21423825KT	Motor assembly, toner supply	1	◆	◆	◆
9	51020089KT	Jogging motor power control board	1	◆	◆	
10	61020022KT	High voltage unit	1	◆	◆	
10	81020112KT	High voltage unit	1			◆
11		Cover, paper feed drive	1	◆	◆	◆
12		Cover, fuser drive assembly	1	◆	◆	◆
13		Cover, main drive gear	1	◆	◆	◆
14	61020317KT	Interlock by pass tool	2	◆	◆	◆

Paper Feed Roller



C30/C30D Paper Feed Rollers



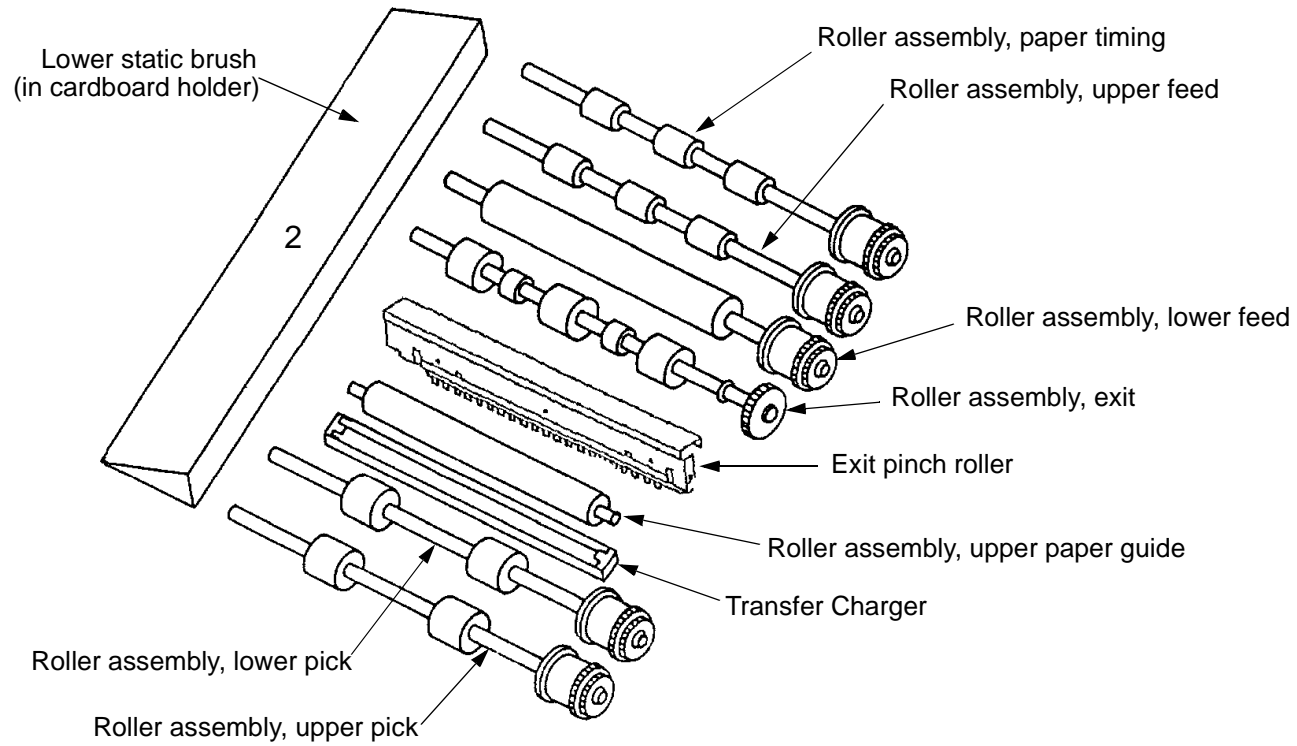
C40D Paper Feed Rollers

Table 17 Paper Feed Roller Parts List

Item	Part Number	Description	Qty	C30	C30D	C40D
1	11000248KT	Roller assembly, upper pick-up	1	◆	◆	◆
2	21420401KT	Drive assembly, pick-up roller	2	◆	◆	
3	11000246KT	Roller assembly, upper feed	1	◆	◆	
3	11000252KT	Roller assembly, upper feed	1			◆
4	11000249KT	Roller assembly, lower pick-up	1	◆	◆	◆
5	11000245KT	Roller assembly, lower feed	1	◆	◆	
5	11000251KT	Roller assembly, lower feed	1			◆
6	61020336KT	Roller assembly, timing	1	◆	◆	
6	81020246KT	Roller assembly, timing	1			◆
7	21420406KT	Idler assembly	1	◆	◆	◆
8	21420413KT	Belt, paper drive	1	◆	◆	◆
9	81020034KT	Idler Belt	1			◆
10		Idler assembly	1			◆
11		Gear drive assembly	1			◆
12	*61020325KT	C30 timing roller clutch	1	◆	◆	
13	*61020327KT	Pick-up roller clutch	1	◆	◆	◆

* NLA from OEM

Tune-Up Print Maintenance Kit



Label taped to inside top of package

Table 18 ***Tune-Up Print Maintenance Kit Parts List***

Item	Part Number	Description	Qty	C30	C30D	C40D
1	61030058KT	Tune-Up Kit – Includes all parts shown	1	◆	◆	
1	81230003KT	C40D Refurbishing Kit – Includes all parts shown plus the following: 81120012KT (see item 12, Table 9 on page 21) 55020260KT (see item 6, Table 9 on page 21) 55020022KT (see item 7, Table 9 on page 21)	1			◆
2	81020168KT	Lower Static Brush	1			◆

Main Drive Assemblies

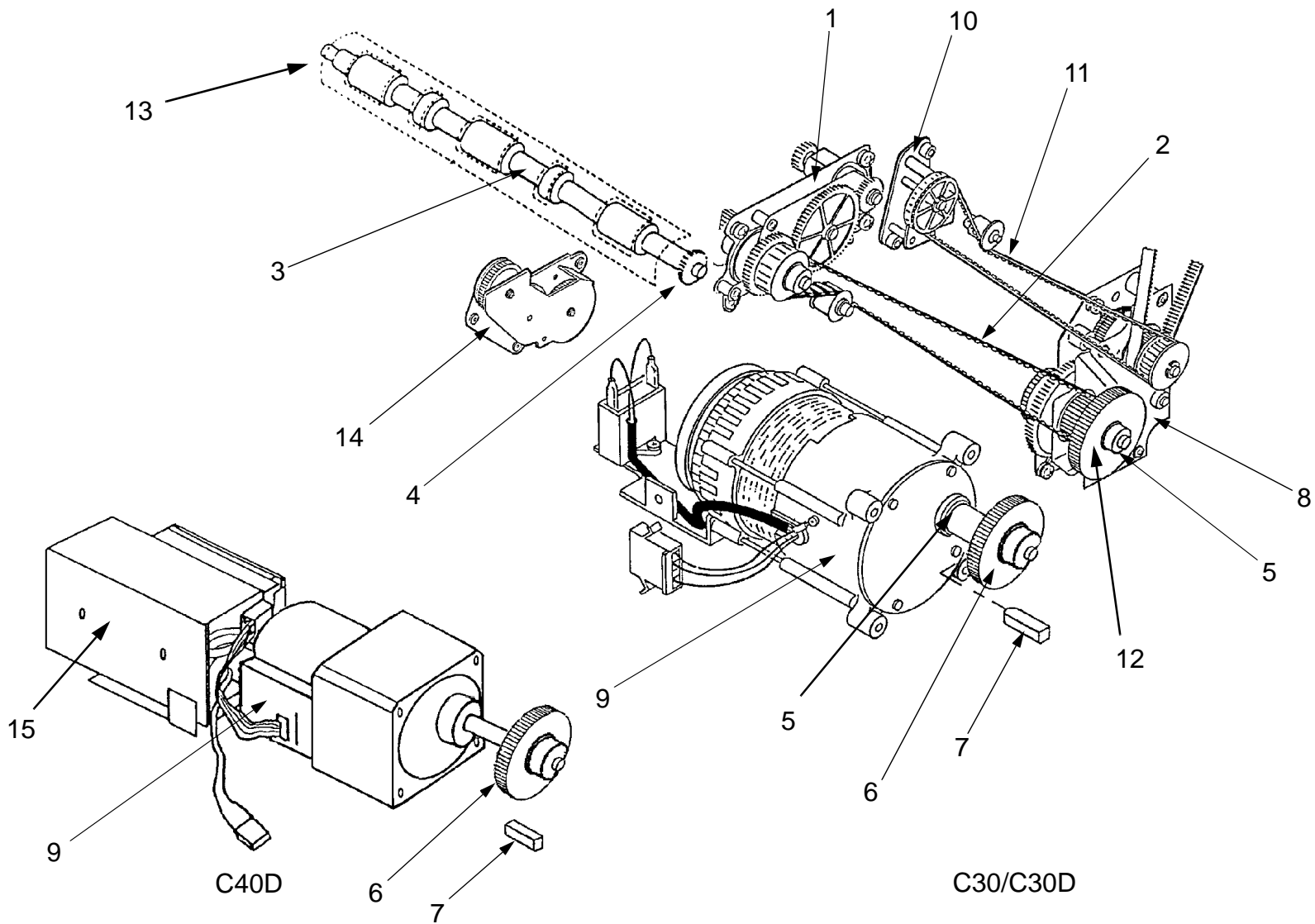


Table 19 Main Drive Assemblies Parts List

Item	Part Number	Description	Qty	C30	C30D	C40D
1	51020056KT	Drive assembly, fuser	1	◆	◆	
1	81020139KT	Drive assembly, fuser	1			◆
2	21420412KT	Belt, fuser drive	1	◆	◆	◆
3	11000247KT	Roller assembly, exit	1	◆	◆	
3	11000250KT	Roller assembly, exit	1			◆
4	51020342KT	Gear, eject	1	◆	◆	
4	81020023KT	Gear, eject	1			◆
5		Bearing, main motor	2	◆	◆	
6		Gear, main motor (50 Hz)	1	◆	◆	
6		Gear, main motor (60 Hz)	1	◆	◆	
6	N/A	Gear, main motor	1			◆
7	21420131KT	Key, main motor	1	◆	◆	◆
8	61020028KT	Main drive assembly (50 Hz)	1	◆	◆	
8	61020013KT	Main drive assembly (60 Hz)	1	◆	◆	
8	81020138KT	Main drive assembly	1			◆
9	51020866KT	Motor, main drive (does not include drive gear)	1	◆	◆	
9	81020040KT	Motor, main drive (does not include drive gear)	1			◆
10	51020057KT	Drive assembly, cleaner unit	1	◆	◆	
10	81020141KT	Drive assembly, cleaner unit	1			◆
11	51020072KT	Drive belt, cleaner unit	1	◆	◆	◆
12		Gear, main drive assembly (50 Hz)	1	◆	◆	
12		Gear, main drive assembly (60 Hz)	1	◆	◆	
13		Guide exit	1	◆	◆	
14	55020113KT	Gear assembly, duplex drive, lower	1	◆	◆	
14	81120012KT	Gear assembly, duplex drive, lower	1			◆
15	81020146KT	Main Motor Control PCA	1			◆

Back Cover

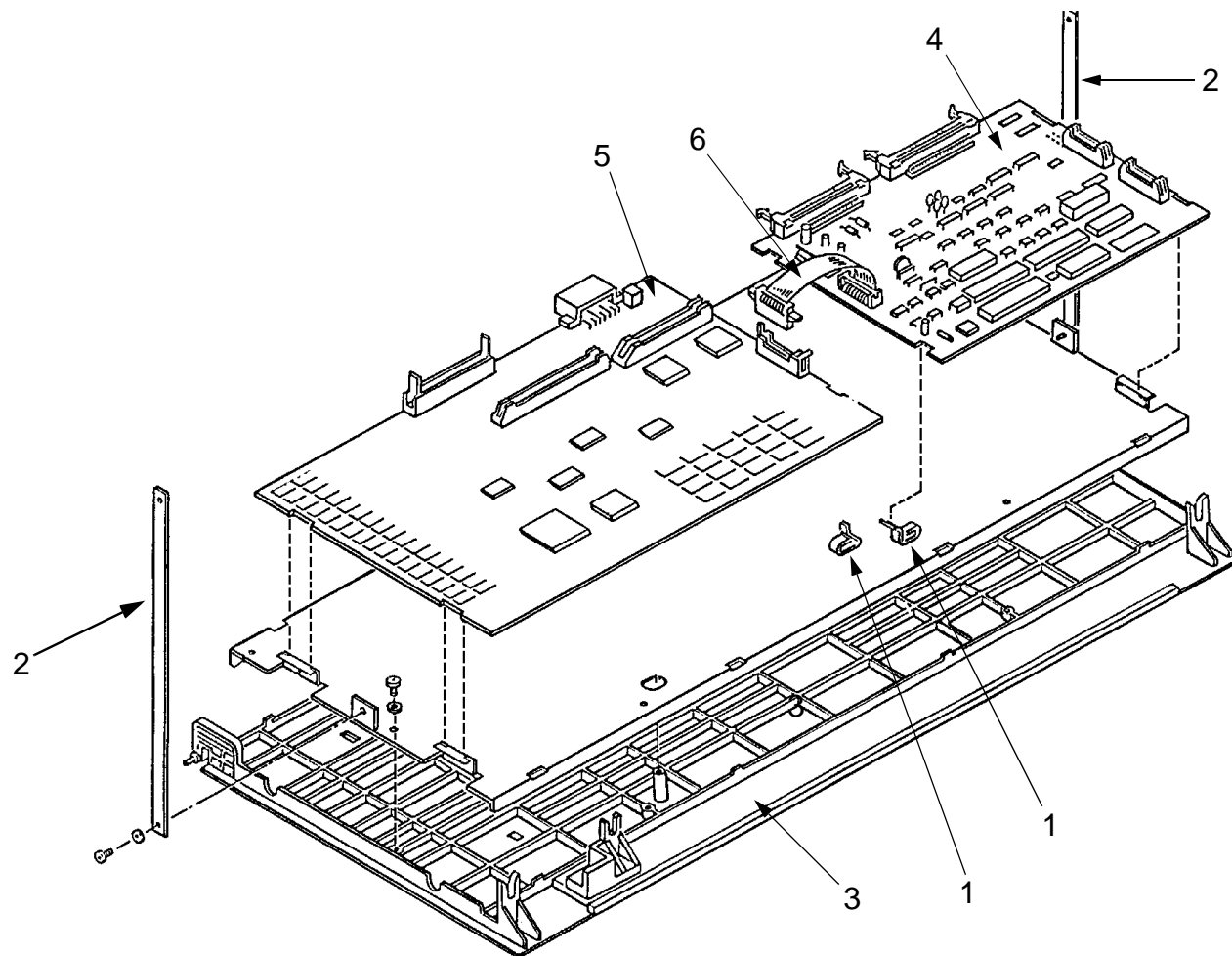


Table 20 Back Cover Parts List

Item	Part Number	Description	Qty	C30	C30D	C40D
1		Clip, PCL, IGS, RIGS and VPCL boards	4	◆	◆	◆
2		Strap, back cover support	2	◆	◆	
3	73820007KT	Cover assembly, back	1	◆	◆	
4	55020014KT	PCL board, 300 dpi	1	◆	◆	
4	14000701KT	AVPCL PCA	1			◆
5	56220006KT	EIGS board, 300 dpi	1	◆	◆	
5	14004602KT	RIGS2 Controller PCA	1			◆
6		W65 wire harness	1			◆

Duplex Holding Tray

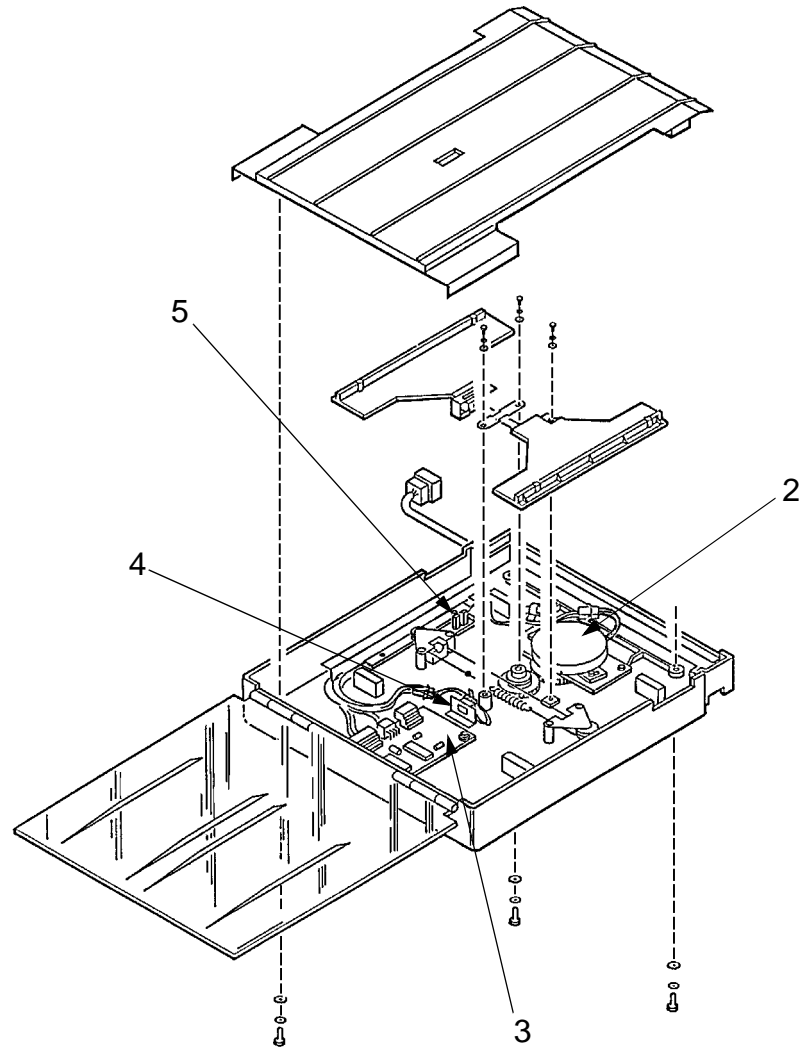


Table 21 ***C40D Duplex Holding Tray Parts List***

Item	Part Number	Description	Qty	C30	C30D	C40D
1	81620012KT	Duplex holding tray (includes all parts shown)	1		◆	◆
2	55020253KT	Stepping motor	1		◆	◆
3	81120046KT	Duplex control board #2	1		◆	◆
4	55020256KT	Paper sensor	1		◆	◆
5	21420290KT	Photocell interrupter	1		◆	◆

Table 22 **Wire Harnesses Parts List**

Item	Part Number	Wire Harness	C30	C30D	C40D
1	21720177KT	W-37 (Pwr printhead)	◆	◆	◆
2	51020148KT	W-43 (Cable, Data FDD)	◆	◆	◆
3	51020149KT	W-44 (Cable, power, FDD)	◆	◆	◆
4	61020139KT	W-46	◆	◆	
5	51020780KT	W-61 (WH to fuser)	◆	◆	◆
6		W-65			◆
7	81020046KT	W-71			◆
8	61020098KT	W-72	◆	◆	
9	81020047KT	W-72			◆
10		W-73	◆		
11	62020036KT	W-73		◆	
12	81020009KT	W-73			◆
13		W-109		◆	
14		W-109			◆
15		(Cable, data, HDD)	◆	◆	◆
16		(Cable, power, HDD)	◆	◆	◆

Table 23 Additional Parts List (Not Illustrated)

Item	Part Number	Description	Location in Printer	Qty	C30	C30D	C40D
1	51020685KT	Sensor assembly, upper cassette empty	Above upper cassette	1	◆	◆	◆
2		Holder, cassette empty sensor	Above upper or lower cassette	1	◆	◆	◆
3		Lever, cassette empty sensor, lower	Above lower cassette	1	◆	◆	◆
4	51020668KT	Lever, cassette empty sensor, upper	Above upper cassette	1	◆	◆	◆
5	21421349KT	Sensor assembly, lower cassette empty	Above lower cassette	1	◆	◆	◆
6	51020092KT	Guide, cleaner assembly	Photoconductor cavity	1	◆	◆	◆
7	51020110KT	Cleaner/charger terminal assembly	Behind cleaner	1	◆	◆	◆
8		Corona cleaner brush	Service kit	1	◆	◆	◆
9		RS-232C loop back assembly	Service kit	1	◆	◆	◆
10		RS-422 loop back assembly	Service kit	1	◆	◆	
11		Jumper wire	Service kit	1	◆	◆	◆
12	21420290KT	Photocell interrupter	Below upper paper guide	1	◆	◆	◆
13		Lever, paper timing sensor	Below upper paper guide	1	◆	◆	
14	21421569KT	Photo seam sensor assembly	Photoconductor cavity	1	◆	◆	◆
15		Fuse, 7.0A, 250V"	DC power supply	1	◆	◆	◆
16		Fuse, signal interface board	Used on P/N 61020072KT	1	◆	◆	
17		AC Power Cord, US market only	Lower back cover area	1	◆	◆	◆
18	*51020874KT	Molycote grease	n/a	1	◆	◆	◆
19	*51020875KT	Red grease	n/a	1	◆	◆	◆
20	51020876KT	Gear oil	n/a	1	◆	◆	◆
21	55030016KT	Parts packet (assortment of 14 springs for duplex)	n/a	1	◆	◆	◆
22	51030028KT	Parts packet (assortment of 22 springs)	n/a	1	◆	◆	◆
23	51030029KT	Parts packet (assortment of 10 spring leaves, torsion and plate)	n/a	1	◆	◆	◆
24	51030031KT	Parts packet (assortment of 22 washers, nuts and rivets)	n/a	1	◆	◆	◆
25		Parts packet (assortment of 20 clips and E-rings)	n/a	1	◆	◆	◆
26	51030027KT	Parts packet (assortment of 14 bearings)	n/a	1	◆	◆	◆
27	51030030KT	Parts packet (assortment of 52 screws)	n/a	1	◆	◆	◆
28		Ozone filter, vacuum transport (included in photoconductor or developer package)	Top cover	1			
29		Actuator, top cover interlock	Top cover	1	◆		

Item	Part Number	Description	Location in Printer	Qty	C30	C30D	C40D
30		Shaft, latch, top cover	Top cover	1	◆		
31		Lever, latch, top cover	Top cover	1	◆		
32		Shield, top cover interlock	Top cover	1	◆		
33	21420515KT	Switch, top cover interlock	Top cover	1	◆		
34		Cover, paper feed	Top input area	1	◆		
35	51020147KT	Actuator, top cover interlock	Top cover	1		◆	◆
36		Spring solenoid	Duplex mechanism output area	1		◆	◆
37	51020065KT	Brush, discharge, lower	Paper output area	1		◆	◆
38	51020664KT	Brush, discharge, upper	Paper output area	1		◆	◆
39	5961-0701	HP PCL5 Technical Reference Manual Set	n/a	1	◆	◆	◆
40		Coupler, cleaner	Behind cleaner	1	◆	◆	◆
41		Spring, solenoid	Duplex mechanism output area	1	◆	◆	◆
42	55030015KT	Parts packet (assortment of 6 bearings for duplex)	n/a	1	◆	◆	◆
43		Solenoid	Duplex unit	1	◆	◆	◆
44	10000016KT	Printer Stand	n/a	1	◆	◆	◆
45	9320-1915	Dusting fabric, toner	n/a	1	◆	◆	◆
46	C4000-60007	C30/C30D SWF/MNL Kit FC Rev. A.01.10	n/a	1	◆	◆	
47	23420012KT	C30 LED Printhead PCA	LED Printhead	1	◆	◆	
48	14002900KT	C40 LED Printhead PCA	LED Printhead	1			◆
49	11000137KT	C40 Pre-loaded disk (HP internal use only)					
50	73820063KT	Cleaning Pen	n/a	1	◆	◆	◆
51	610203317	Interlock bypass tool (10 pack)	n/a	10	◆	◆	◆

* Red grease (51020875KT) may be used in place of white grease; do not substitute Molycote grease (51020874) for white grease

This page left intentionally blank

1200/2500 Sheet High Capacity Input Unit - Main Front View

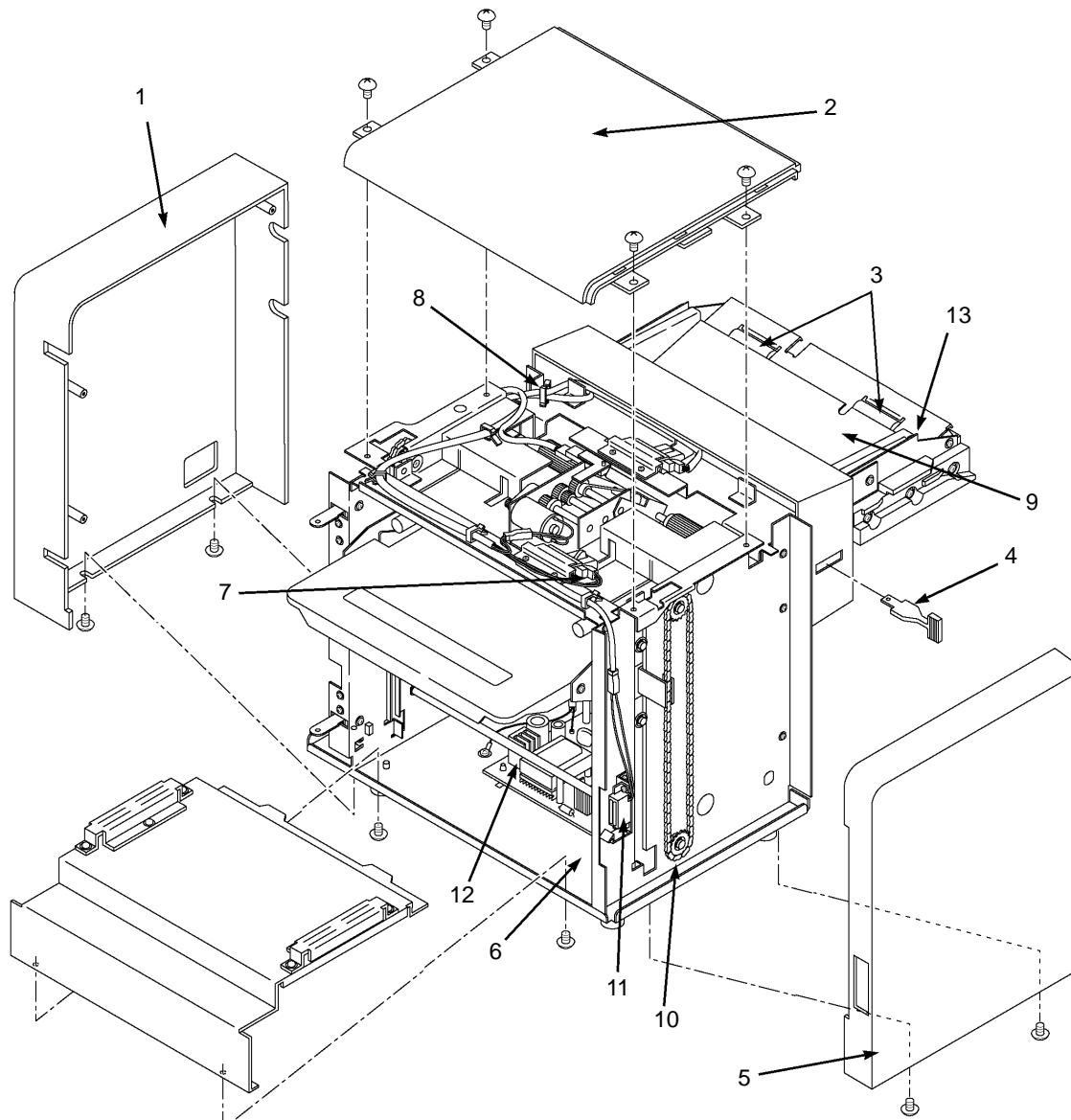


Table 24 **1200/2500 Sheet High Capacity Input Unit - Main Front View Parts List**

Item	Part Number		Description	Qty
	1200 HCI	2500 HCI		
1		54624003KT	Cover, RR	1
2			Cover, top	1
3			Roller assembly	1
4	54020140KT	54020140KT	Lever	1
5		54624009KT	Cover, FR	1
6			Base plate assembly	1
7			Wire Harness, W-510	1
8			Insert wire harness assembly	1
9			Jamplate assembly	1
10			Chain	2
11	54020023KT		Mag door catch	1
12	53020124KT	54224043KT	Power supply	1
13			Slope assembly (complete with roller assembly, sensor and actuator)	1

1200/2500 Sheet High Capacity Input Unit - Detailed Front View

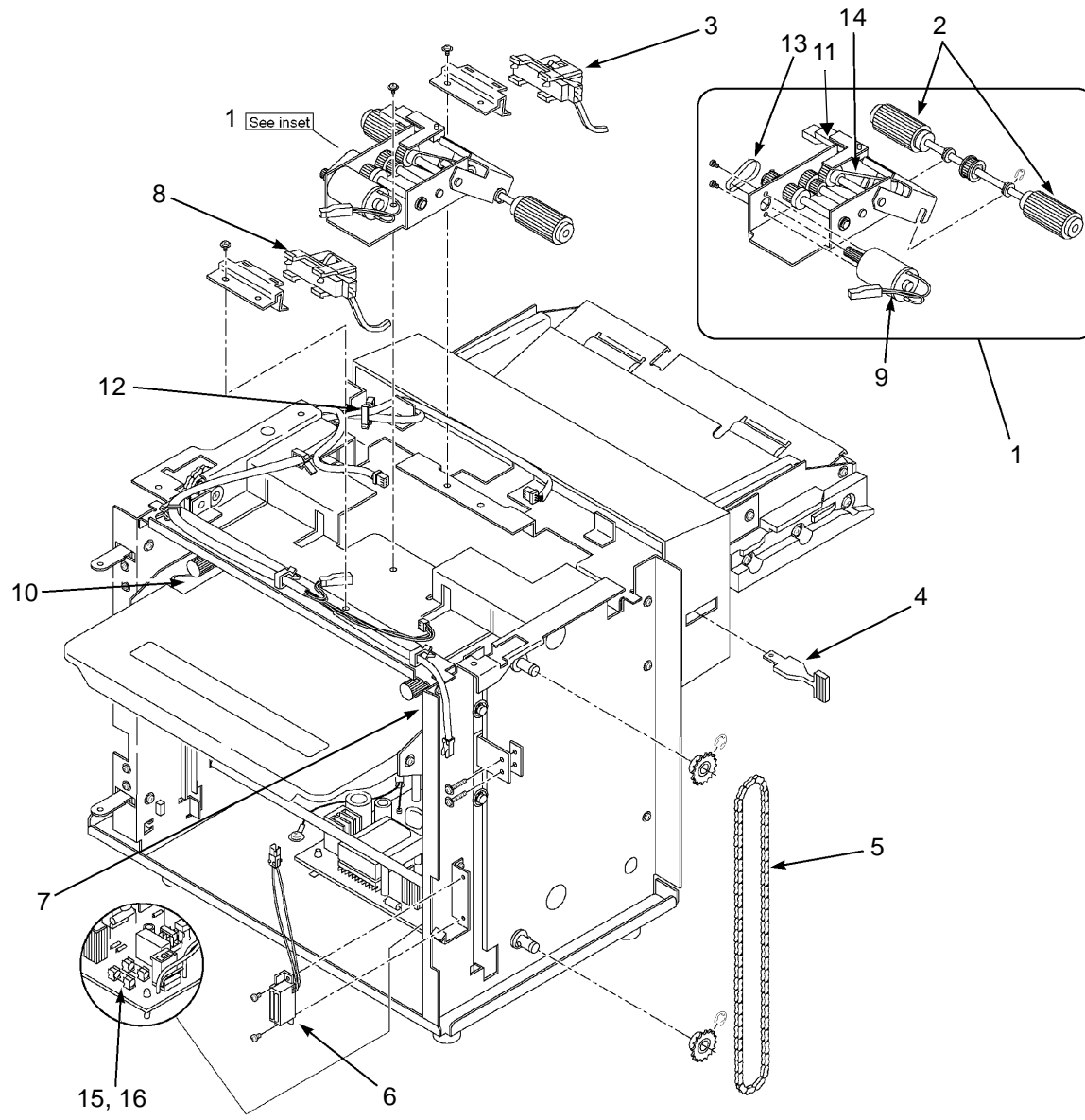


Table 25 **1200/2500 Sheet High Capacity Input Unit - Detailed Front View Parts List**

Item	Part Number		Description	Qty
	1200 HCI	2500 HCI		
1	54220012KT	54224072KT	Pick-up roller assembly (complete, includes pick-up rollers)	1
2	54020043KT	54020043KT	Pick-up rollers only	1
3	54020061KT	54020061KT	Sensor assembly B	1
4	54224034KT	54224034KT	Lever	1
5			Chain	2
6	54020023KT	54020023KT	Mag door catch	1
7			Paper guide FR assembly (concealed from view)	1
8	54020284KT	54020284KT	Sensor assembly A	1
9	53020095KT	54224036KT	"Motor, pick up"	1
10			Paper guide RR assembly	1
11	21420290KT	21420290KT	Photocell interrupter	5
12			Insert wire harness assembly	1
13	53020069KT	54224038KT	"Timing belt, 50M x L x 4.8"	2
14	54020125KT	54020125KT	"Timing belt, 71M x L x 6.4 (concealed from view)"	1
15			Fuse 1	1
16			Fuse 2	1

1200/2500 Sheet High Capacity Input Unit - Main Rear View

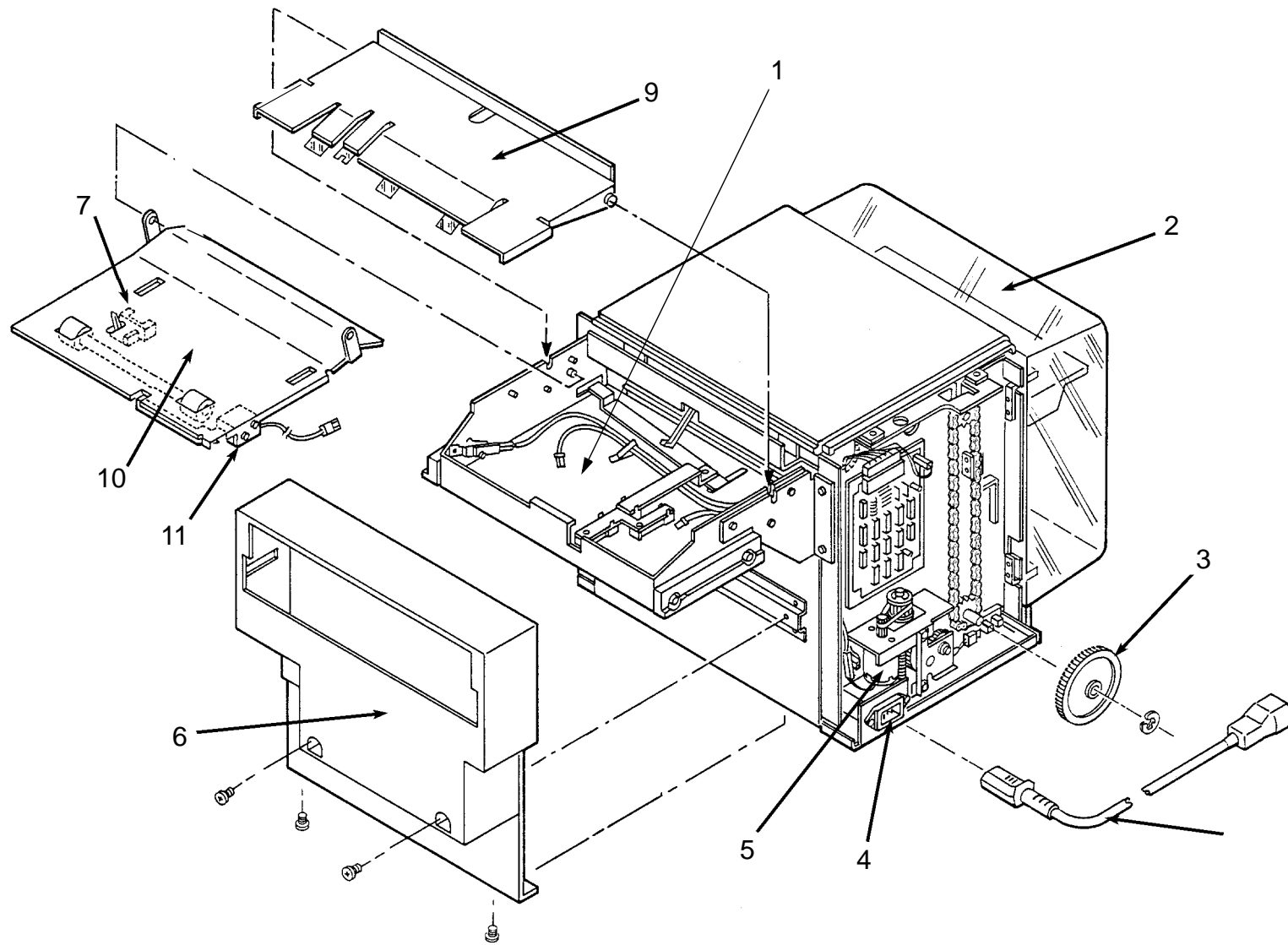


Table 26 **1200/2500 Sheet High Capacity Input Unit - Main Rear View Parts List**

Item	Part Number		Description	Qty
	1200 HCI	2500 HCI		
1	54020207KT	54224061KT	Guide frame assembly (complete with jamplate assembly #9 and slope assembly #10)	1
2	54020058KT	54224064KT	Door Assembly	1
3	54020189KT	54224019KT	Gear 65T (1200 HCI), Gear 72T (2500 HCI)	1
4	54020024KT		AC noise filter assembly	1
5	53020095KT	54224050KT	Tray lift motor	2
6			Cover, R	1
7	54020053KT	*N/A	Actuator C assembly (photo sensor and flag)	5
8	8120-6302		AC jumper cord	1
9			Jamplate assembly	1
10			Slope assembly (complete with roller assembly sensor and actuator)	1
11	54020210KT	54020210KT	HCI Solenoid Assy	1

* Actuator C assembly not available for 2500 HCI; order complete guide frame assembly (54224061KT)

1200/2500 Sheet High Capacity Input Unit - Detailed Rear View

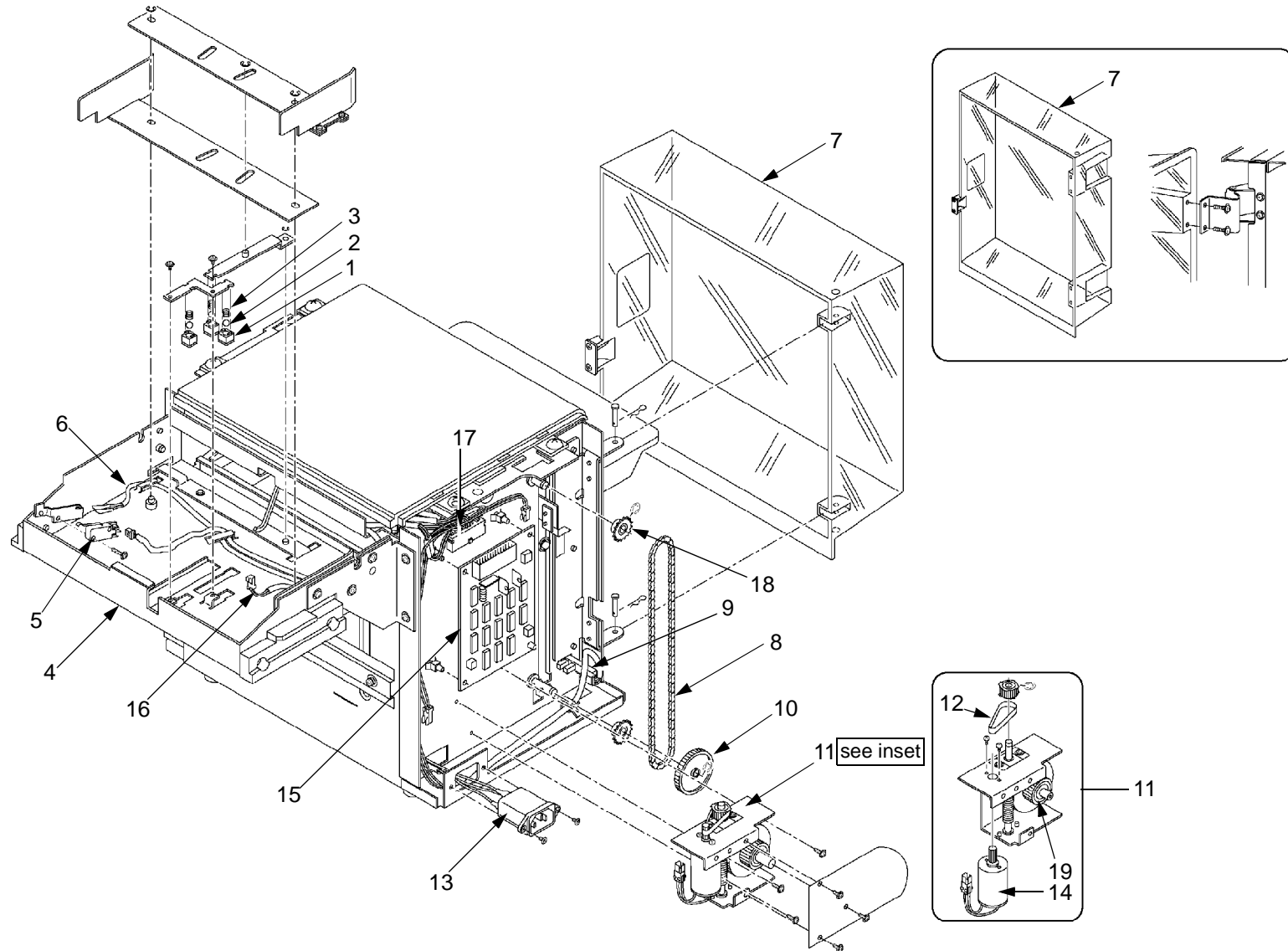


Table 27 **1200/2500 Sheet High Capacity Input Unit - Detailed Rear View Parts List**

Item	Part Number		Description	Qty
	1200 HCI	2500 HCI		
1			Ballcase	1
2			SUS ball (concealed from view)	3
3			Spring, C (concealed from view)	3
4	54020207KT	54224061KT	Guide frame assembly complete with jamplate assembly and slope assembly	1
5	54020234KT	54020234KT	Microswitch	1
6			Insert wire harness assembly	1
7	54020058KT	54224064KT	Door assembly	1
8			Chain	2
9	21420290KT	54224048KT	Photocell interrupter	5
10	54020189KT	54224019KT	Gear 65T (1200 HCI) , Gear 72T (2500 HCI)	1
11			Drive bracket assembly	1
12	53020069KT	54224038KT	Timing belt, 50M x L x 4.8	2
13	54020024KT		AC noise filter assembly	1
14	53020095KT	54224050KT	Tray lift motor	2
15	60020002KT	60020002KT	Input control board	1
16			Wire harness, W-514	1
17			Wire harness, W-510	1
18	53020054KT	53020054KT	HCI/HCO Sprocket Wheel	4
19	54020183KT	54224018KT	HCI Helical Gear	1

1400 Sheet High Capacity Output Unit - Main Front View

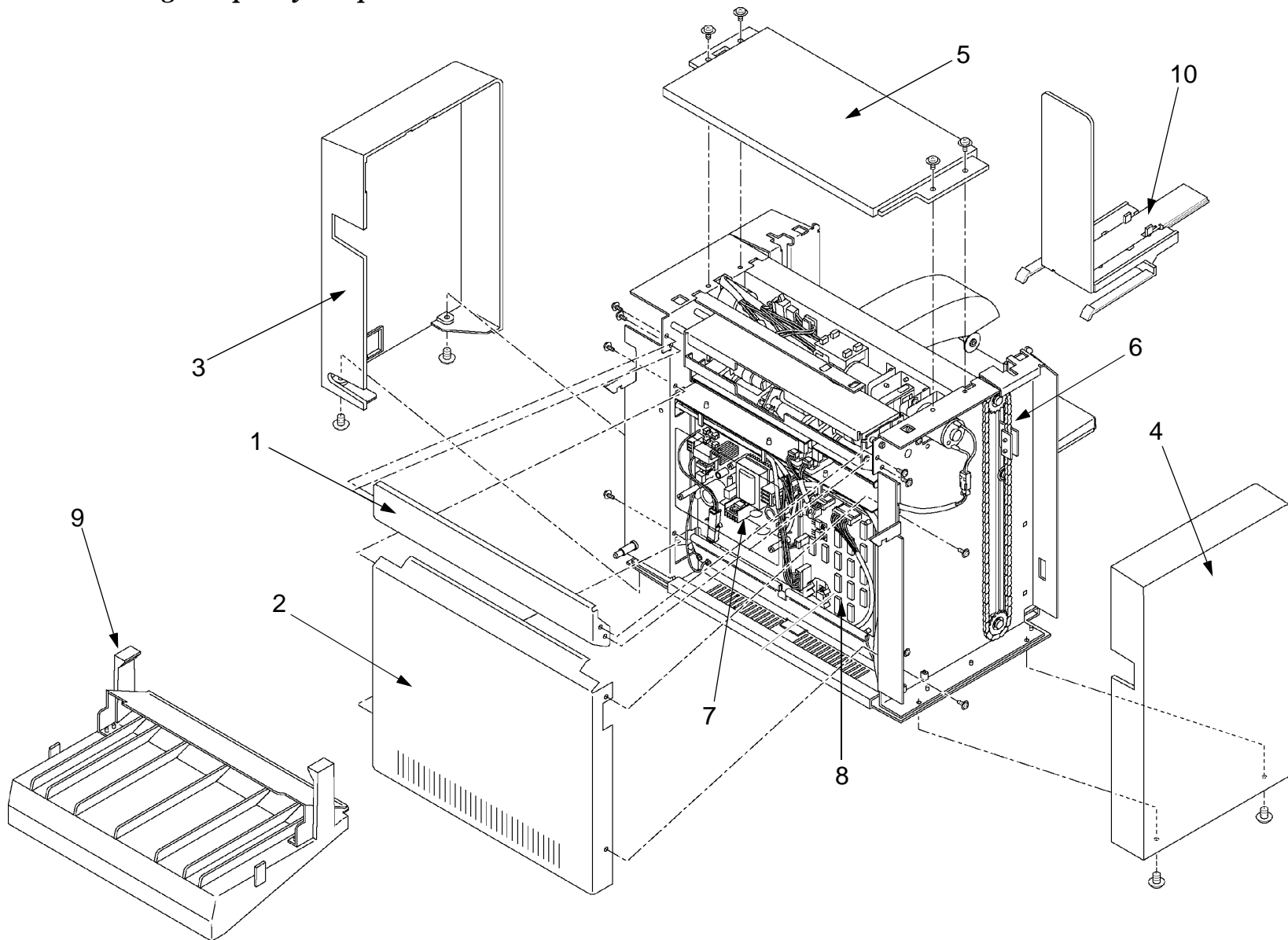


Table 28 ***1400 Sheet High Capacity Output Unit - Main Front View Parts List***

Item	Part Number	Description	Qty
0		High Capacity Stacker Unit (100-240V) - generic	
1		Guide, upper	1
2		Guide, lower	1
3		Cover, rear	1
4		Cover, front	1
5		Cover, top	1
6		Roller chain	2
7	53020124KT	Power supply	1
8	60020003KT	Output control board	1
9	53020121KT	Adapter HCO - Job Offset Assembly	1
10	53620011KT	Exit Tray Paper Stop	1

1400 Sheet High Capacity Output Unit - Detailed Front View

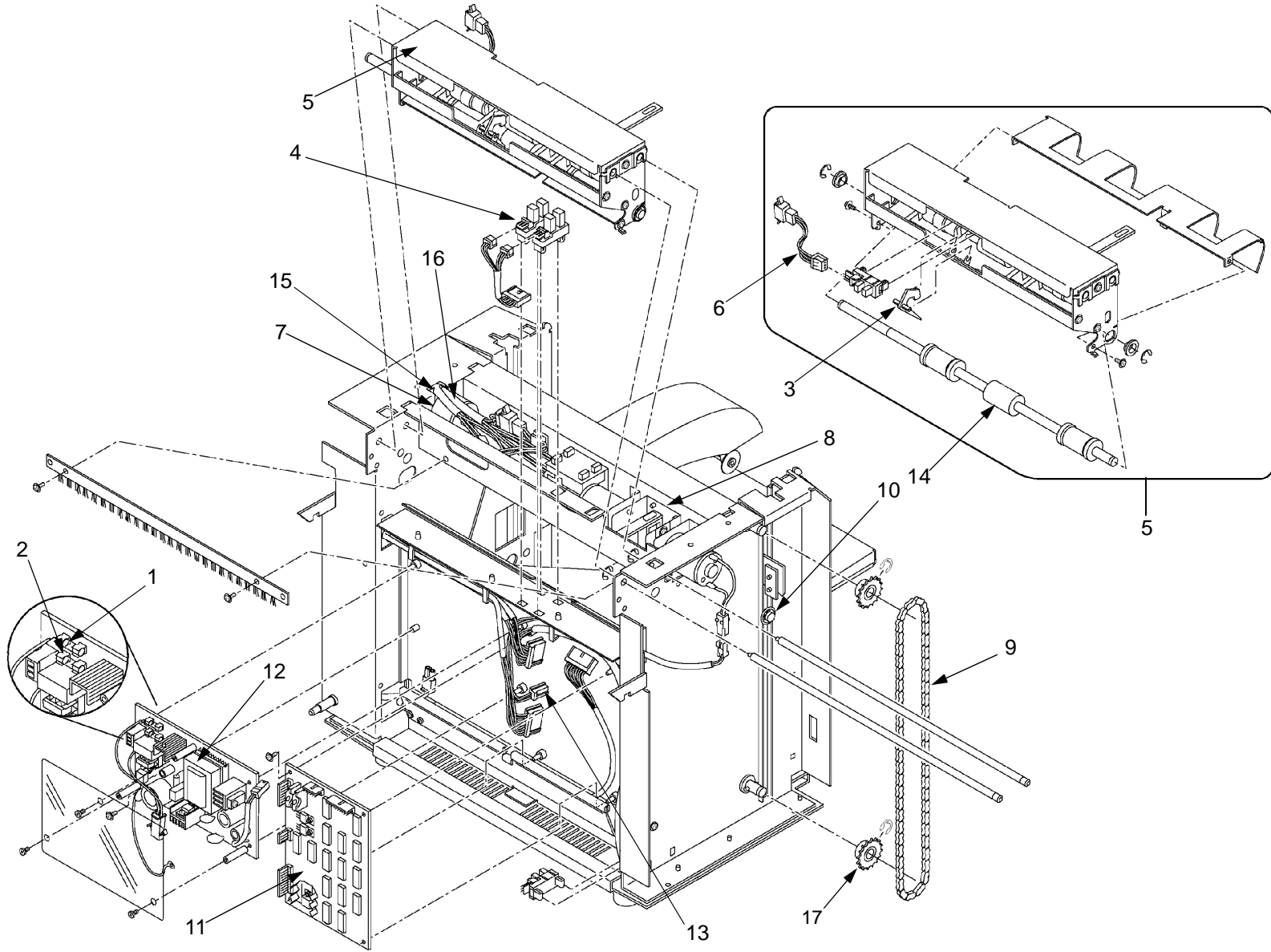


Table 29 **1400 Sheet High Capacity Output Unit - Detailed Front View Parts List**

Item	Part Number	Description	Qty
1		Fuse 1	1
2		Fuse 2	1
3	53020032KT	Actuator B	1
4	53020088KT	Photosensor	6
5	53020091KT	Jogging assembly, complete (including frames, photosensor, actuator, roller assemblies and wire harness W-12)	1
6		Wire harness W-12	1
7	53020184KT	Exit roller motor (includes pulley)	1
8	53820006KT	Jogging subassembly (includes 2 jogging motors and jogging block)	1
9		Roller chain	2
10	53020029KT	Roller (2 front, 2 rear)	4
11	60020003KT	Output control board	1
12	53020124KT	Power supply	1
13		Wire Harness W-7	1
14		Exit roller assembly	1
15		Wire Harness W-5	1
16		Wire Harness W-6	1
17	53020054KT	HCI/HCO Sprocket Wheel	4

1400 Sheet High Capacity Output Unit - Main Rear View

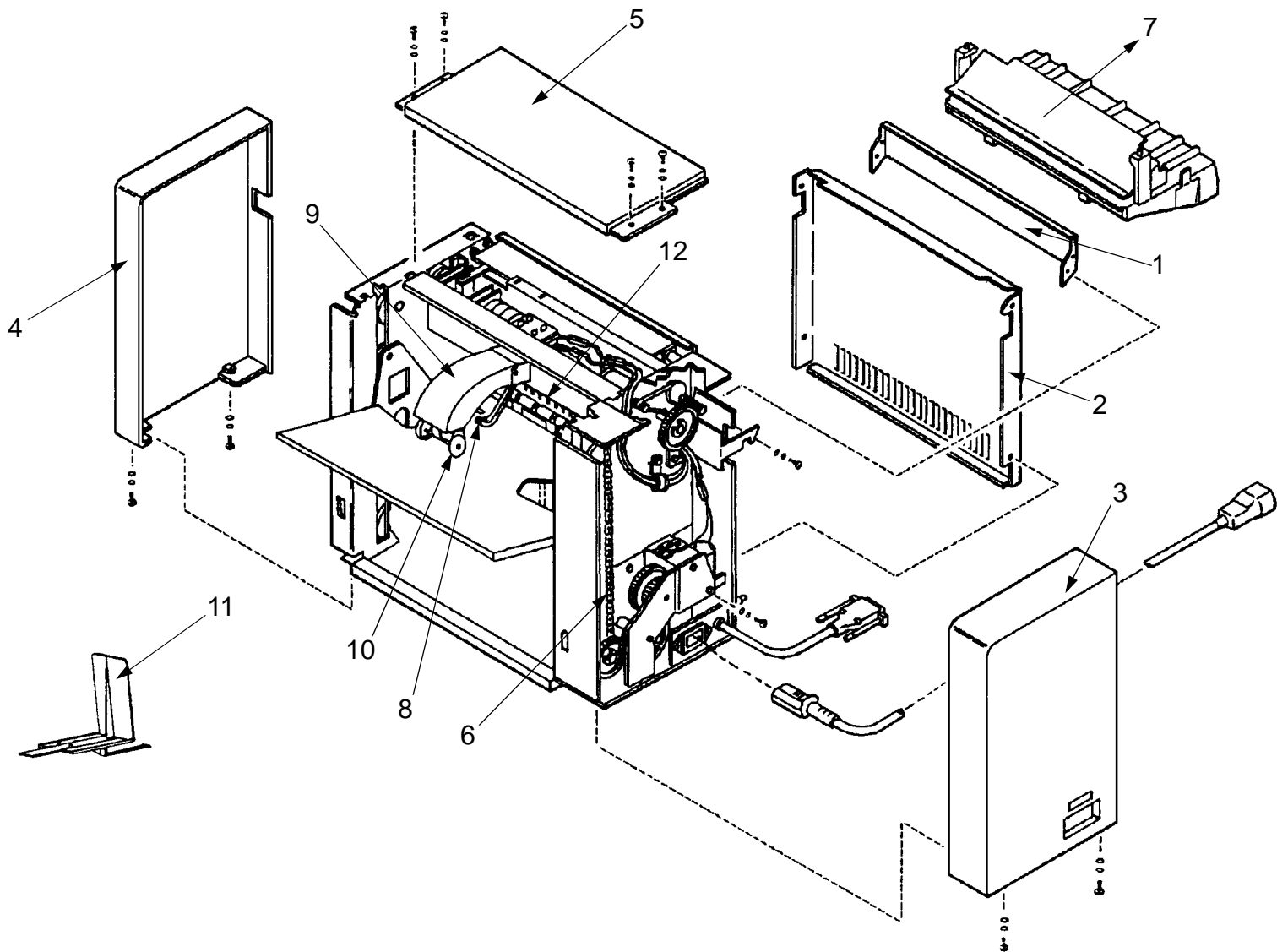


Table 30 ***1400 Sheet High Capacity Output Unit - Main Rear View Parts List***

Item	Part Number	Description	Qty
1		Guide, upper	1
2		Guide, lower	1
3		Cover, rear	1
4		Cover, front	1
5		Cover, top	1
6		Roller chain	2
7	53020121KT	Adapter plate guide assembly	1
8	53020031KT	Actuator A	1
9	53020183KT	Stacker arm assembly	1
10		Wheel arm assembly	1
11	53620011KT	Paper stop, adjustable	1
12	53020194KT	Static brush	1

1400 Sheet High Capacity Output Unit - Detailed Rear View

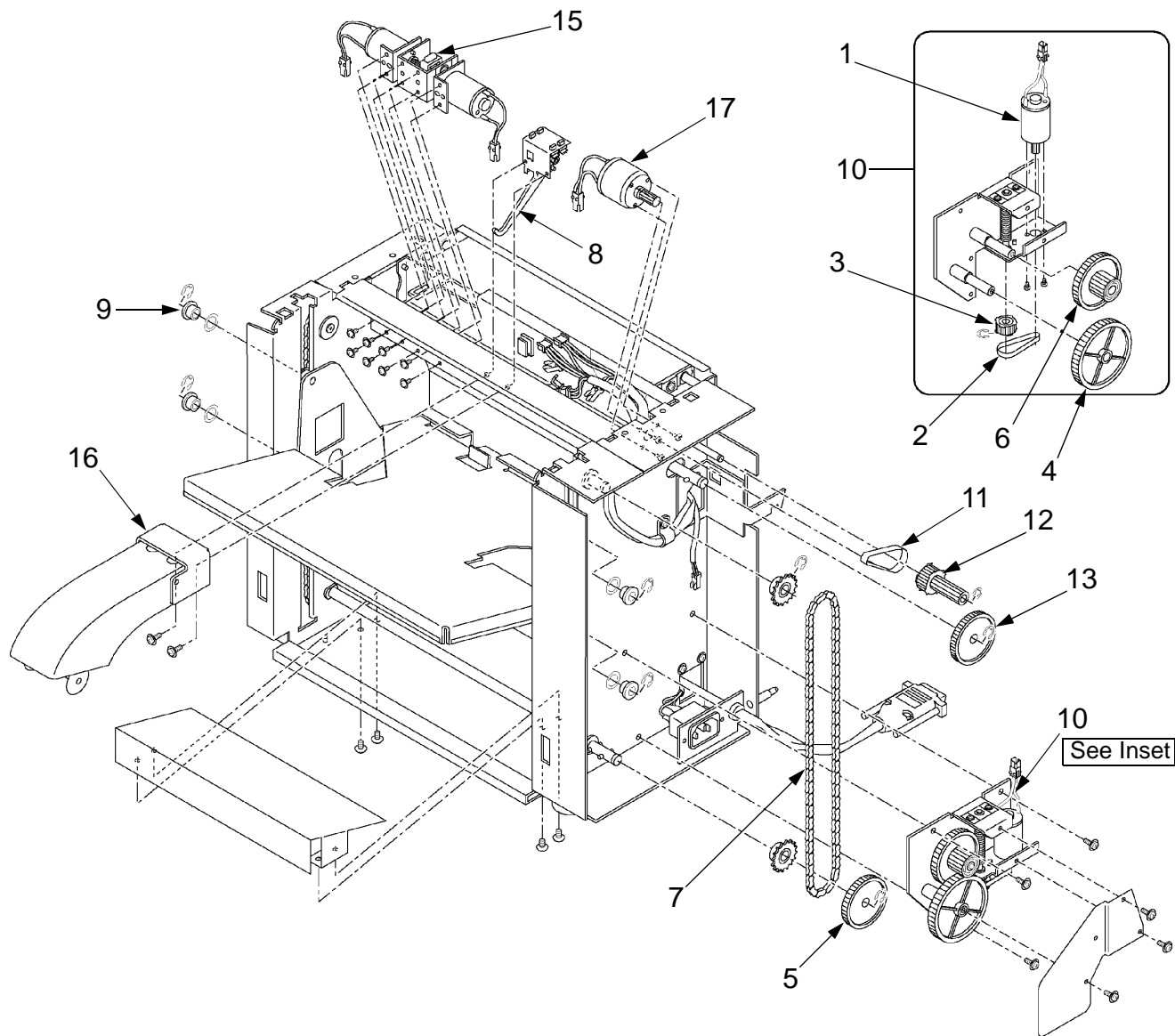


Table 31 **1400 Sheet High Capacity Output Unit - Detailed Rear View Parts List**

Item	Part Number	Description	Qty
1	53020095KT	Elevator motor assembly (includes pulley)	1
2	53020069KT	Timing belt, 50M x L x 4.8	1
3	53020065KT	Pulley (30T)	1
4	53020051KT	Gear D	1
5	53020052KT	Gear E	1
6	53020050KT	Gear C	1
7		Roller chain	2
8	53020031KT	Actuator A	1
9	53020029KT	Roller (2 front, 2 rear)	4
10	53020090KT	Elevator gear assembly (includes motor, worm gear, belt, pulley and drive gear)	1
11		Timing belt, 80M x L x 4.8	1
12	53224001KT	Gear, exit	1
13	53224003KT	Gear A (Z90)	1
14	8120-6302	AC power cord (not shown)	1
15	53820006KT	Jogging subassembly (includes 2 jogging motors and jogging block)	1
16	53020230KT	Arm holder bracket	1
17	53020184KT	Exit roller motor (includes pulley)	1

Table 32 ***Part Numbers Related to Service Notes***

S.N.	Part Number	Description	Qty	C30	C30D	C40D
1	C4000-13402	3-1/2" Fonts Floppy	1	◆	◆	
1	C4000-13403	3-1/2" Function Code Floppy (A.01.09.02)	1	◆	◆	
2	54620010KT	Shelf Kit for 2500 HCI	1	◆	◆	
3	C4000-60007	Function Code and Fonts Floppies (A.01.10)	1	◆	◆	
4	73820056KT	Lever-Stop Clip (required when HCI attached to printer)	1	◆	◆	◆

Table 33
Part Number Locator

Part Number	Page
10000016KT	44
11000059KT	31
11000130KT	8
11000137KT	8, 44
11000214KT	5
11000215KT	5
11000245KT	33
11000246KT	33
11000247KT	37
11000248KT	33
11000249KT	33
11000250KT	37
11000251KT	33
11000252KT	33
11000253KT	8
14000701KT	39
14002900KT	44
14004602KT	39
21420074KT	13
21420131KT	37

Part Number	Page
21420290KT	21, 29, 41 43, 49, 53
21420401KT	33
21420406KT	33
21420412KT	37
21420413KT	33
21420515KT	17, 44
21420683KT	13
21420894KT	27
21420896KT	27
21421209KT	15
21421333KT	15
21421349KT	43
21421569KT	43
21421570KT	13
21421610KT	8
21421937KT	15
21421962KT	17
21422770KT	13
21423777KT	25
21423825KT	31
21720177KT	42

Part Number	Page
23420012KT	44
51020018KT	8
51020056KT	37
51020057KT	37
51020058KT	8
51020062KT	23
51020065KT	44
51020072KT	37
51020077KT	23
51020088KT	31
51020089KT	31
51020092KT	43
51020106KT	8
51020107KT	8
51020110KT	43
51020147KT	44
51020148KT	42
51020149KT	42
51020256KT	11
51020342KT	37
51020372KT	23
51020629KT	25

Part Number	Page
51020664KT	44
51020668KT	43
51020682KT	31
51020685KT	43
51020780KT	42
51020795KT	8
51020866KT	37
51020874KT	43
51020875KT	43
51020876KT	43
51030027KT	43
51030028KT	43
51030029KT	43
51030030KT	43
51030031KT	43
51220072KT	8
51220123KT	13
51220127KT	13
51220128KT	13
51220131KT	13
53020029KT	57, 61
53020031KT	59, 61

Part Number	Page
53020032KT	57
53020050KT	61
53020051KT	61
53020052KT	61
53020054KT	53, 57
53020065KT	61
53020069KT	49, 53, 61
53020088KT	57
53020090KT	61
53020091KT	57
53020095KT	49, 51, 53, 61
53020121KT	55, 59
53020124KT	47, 55, 57
53020183KT	59
53020184KT	57, 61
53020194KT	59
53020230KT	61
53224001KT	61
53224003KT	61
53620011KT	55, 59
53820006KT	57, 61
54020023KT	47, 49

Part Number	Page
54020024KT	51, 53
54020043KT	49
54020053KT	51
54020058KT	51, 53
54020061KT	49
54020125KT	49
54020183KT	53
54020189KT	51, 53
54020207KT	51, 53
54020210KT	51
54020234KT	53
54020284KT	49
54220012KT	49
54224018KT	53
54224019KT	51, 53
54224034KT	49
54224036KT	49
54224038KT	49, 53
54224043KT	47
54224048KT	53
54224050KT	51, 53
54224061KT	51, 53

Part Number	Page
54224064KT	51, 53
54224072KT	49
54620010KT	62
54624003KT	47
54624009KT	47
55020014KT	39
55020019KT	21
55020020KT	21
55020022KT	21
55020024KT	21
55020026KT	21
55020028KT	19
55020052KT	19, 25
55020113KT	21, 37
55020116KT	19
55020196KT	21
55020214KT	21
55020231KT	21
55020244KT	19
55020248KT	21
55020251KT	19
55020253KT	41

Part Number	Page
55020255KT	19
55020256KT	41
55020257KT	21
55020260KT	21
55020261KT	19
55020263KT	19
55020285KT	19
55020331KT	8
55020350KT	8, 21
55020482KT	17
55020489KT	17
55020490KT	17
55020491KT	17
55020594KT	21
55030015KT	44
55030016KT	43
55030024KT	17
56220006KT	39
5961-0701	44
60020002KT	53
60020003KT	55, 57
61020013KT	37

Part Number	Page
61020022KT	31
61020023KT	8, 27
61020028KT	37
61020072KT	31
61020098KT	42
61020139KT	42
61020150KT	25
61020281KT	31
61020317KT	31
61020325KT	33
61020327KT	33
610203317	44
61020336KT	33
61030058KT	35
62020036KT	42
62020046KT	11
73820006KT	8
73820007KT	39
73820010KT	11
73820020KT	11
73820027KT	29
73820056KT	62

Part Number	Page
73820063KT	44
73920009KT	8
73920011KT	8
73920014KT	11
81020009KT	42
81020023KT	37
81020034KT	33
81020040KT	37
81020046KT	42
81020047KT	42
81020108KT	8
81020112KT	31
81020137KT	25
81020138KT	37
81020139KT	37
81020141KT	37
81020146KT	37
81020153KT	8
81020159KT	25
81020160KT	25
81020168KT	35
81020246KT	33

Part Number	Page
81120012KT	21, 37,
81120021KT	21
81120025KT	8, 27
81120042KT	25
81120046KT	41
81120051KT	21
8120-6302	51, 61
81230003KT	35
81620008KT	11
81620012KT	8, 41
81620021KT	11
9320-1915	44
C4000-13402	62
C4000-13403	62
C4000-60007	44, 62
C4006A	5
C4007A	5
C4011A	5
C4015A	5
C4675A	5
C4676A	5
C4677A	5

Part Number	Page
C4682A	5
C4683A	5

Table 34
Part Number/Table Index

Part Number	Table	Item	Qty
10000016KT	23	44	1
11000059KT	16	3	1
11000130KT	2	4	1
11000137KT	2	5	1
	23	49	1
11000214KT	1	7	N.A.
11000215KT	1	7	N.A.
11000245KT	17	5	1
11000246KT	17	3	1
11000247KT	19	3	1
11000248KT	17	1	1
11000249KT	17	4	1
11000250KT	19	3	1
11000251KT	17	5	1
11000252KT	17	3	1
11000253KT	2	5	1
14000701KT	20	4	1
14002900KT	23	48	1
14004602KT	20	5	1
21420074KT	4	2	2

Part Number	Table	Item	Qty
21420131KT	19	7	1
21420290KT	9	11	1
	15	2	2
	21	5	1
	23	12	1
	25	11	5
	27	9	5
21420401KT	17	2	2
21420406KT	17	7	1
21420412KT	19	2	1
21420413KT	17	8	1
21420515KT	7	3	1
	23	33	1
21420683KT	4	11	1
21420894KT	14	2	4
21420896KT	14	3	1
21421209KT	5	2	1
21421333KT	6	2	1
21421349KT	23	5	1
21421569KT	23	14	1
21421570KT	4	5	1
21421610KT	2	2	1

Part Number	Table	Item	Qty
21421937KT	5	4	1
	6	4	1
21421962KT	7	4	1
21422770KT	4	1	2
21423777KT	11	7	1
	12	7	1
21423825KT	16	8	1
21720177KT	22	1	1
23420012KT	23	47	1
51020018KT	2	8	1
51020056KT	19	1	1
51020057KT	19	10	1
51020058KT	2	7	1
51020062KT	10	3	1
51020065KT	23	37	1
51020072KT	19	11	1
51020077KT	10	1	1
51020088KT	16	5	1
51020089KT	16	9	1
51020092KT	23	6	1
51020106KT	2	10	1
51020107KT	2	11	1

Part Number	Table	Item	Qty
51020110KT	23	7	1
51020147KT	23	35	1
51020148KT	22	2	1
51020149KT	22	3	1
51020256KT	3	1	1
51020342KT	19	4	1
51020372KT	10	2	1
51020629KT	11	3	1
51020664KT	23	38	1
51020668KT	23	4	1
51020682KT	16	6	1
51020685KT	23	1	1
51020780KT	22	5	1
51020795KT	2	6	1
51020866KT	19	9	1
51020874KT	23	18	1
51020875KT	23	19	1
51020876KT	23	20	1
51030027KT	23	26	1
51030028KT	23	22	1
51030029KT	23	23	1
51030030KT	23	27	1

Part Number	Table	Item	Qty
51030031KT	23	24	1
51220072KT	2	21	1
51220123KT	4	4	1
51220127KT	4	7	1
51220128KT	4	9	1
51220131KT	4	10	1
53020029KT	29	10	4
	31	9	4
53020031KT	30	8	1
	31	8	1
53020032KT	29	3	1
53020050KT	31	6	1
53020051KT	31	4	1
53020052KT	31	5	1
53020054KT	27	18	4
	29	17	4
53020065KT	31	3	1
53020069KT	25	13	2
	27	12	2
	31	2	1
53020088KT	29	4	6
53020090KT	31	10	1

Part Number	Table	Item	Qty
53020091KT	29	5	1
53020095KT	25	9	2
	26	5	2
	27	14	2
	31	1	1
53020121KT	28	9	1
	30	7	1
53020124KT	24	12	1
	28	7	1
	29	12	1
53020183KT	30	9	1
53020184KT	29	7	1
	31	17	1
53020194KT	30	12	1
53020230KT	31	16	1
53224001KT	31	12	1
53224003KT	31	13	1
53620011KT	28	10	1
	30	11	1
53820006KT	29	8	1
	31	15	1

Part Number	Table	Item	Qty
54020023KT	24	11	1
	25	6	1
54020024KT	26	4	1
	27	13	1
54020043KT	25	2	1
54020053KT	26	7	5
54020058KT	26	2	1
	27	7	1
54020061KT	25	3	1
54020125KT	25	14	1
54020140KT	24	4	1
54020183KT	27	19	1
54020189KT	26	3	1
	27	10	1
54020207KT	26	1	1
	27	4	1
54020210KT	26	11	1
54020234KT	27	5	1
54020284KT	25	8	1
54220012KT	25	1	1
54224018KT	27	19	1

Part Number	Table	Item	Qty
54224019KT	26	3	1
	27	10	1
54224034KT	25	4	1
54224036KT	25	9	1
54224038KT	25	13	2
	27	12	2
54224043KT	24	12	1
54224048KT	27	9	5
54224050KT	26	5	2
	27	14	2
54224061KT	26	1	1
	27	4	1
54224064KT	26	2	1
	27	7	1
54224072KT	25	1	1
54620010KT	32	2	1
54624003KT	24	1	1
54624009KT	24	5	1
55020014KT	20	4	1
55020019KT	9	4	1
55020020KT	9	3	1
55020022KT	9	7	1

Part Number	Table	Item	Qty
55020024KT	9	13	1
55020026KT	9	10	1
55020028KT	8	5	1
55020052KT	8	11	9
	11	4	3
55020113KT	9	12	1
	19	14	1
55020116KT	8	3	4
55020196KT	9	21	1
55020214KT	9	17	1
55020231KT	9	1	1
55020244KT	8	6	1
55020248KT	9	8	1
55020251KT	8	2	2
55020253KT	21	2	1
55020255KT	8	4	1
55020256KT	21	4	1
55020257KT	9	5	1
55020260KT	9	6	2
55020261KT	8	1	1
55020263KT	8	9	1
55020285KT	8	7	2

Part Number	Table	Item	Qty
55020331KT	2	9	1
55020350KT	2	23	1
	9	20	1
55020482KT	7	7	1
55020489KT	7	7	1
55020490KT	7	7	1
55020491KT	7	7	1
55020594KT	9	18	1
55030015KT	23	42	1
55030016KT	23	21	1
55030024KT	7	0	1
56220006KT	20	5	1
5961-0701	23	39	1
60020002KT	27	15	1
60020003KT	28	8	1
	29	11	1
61020013KT	19	8	1
61020022KT	16	10	1
61020023KT	2	15	1
	14	0	1
61020028KT	19	8	1
61020072KT	16	3	1

Part Number	Table	Item	Qty
61020098KT	22	8	1
61020139KT	22	4	1
61020150KT	11	2	1
61020281KT	16	1	1
61020317KT	16	14	2
	23	52	10
61020325KT	17	12	1
61020327KT	17	13	1
61020336KT	17	6	1
61030058KT	18	1	1
62020036KT	22	11	1
62020046KT	3	1	1
73820006KT	2	16	1
73820007KT	20	3	1
73820010KT	3	3	1
73820020KT	3	0	1
73820027KT	15	0	1
73820056KT	32	4	1
73820063KT	23	50	1
73860006KT	2	1	1
73920009KT	2	17	1
73920011KT	2	19	1

Part Number	Table	Item	Qty
73920014KT	3	0	1
81020009KT	22	12	1
81020023KT	19	4	1
81020034KT	17	9	1
81020040KT	19	9	1
81020046KT	22	7	1
81020047KT	22	9	1
81020108KT	2	6	1
81020112KT	16	10	1
81020137KT	11	8	1
	13	8	1
81020138KT	19	8	1
81020139KT	19	1	1
81020141KT	19	10	1
81020146KT	19	15	1
81020153KT	2	8	1
81020159KT	11	5	1
81020160KT	11	6	1
81020168KT	18	2	1
81020246KT	17	6	1
81120012KT	9	12	1
	19	14	1

Part Number	Table	Item	Qty
81120021KT	9	17	1
81120025KT	2	15	1
	14	0	1
81120042KT	11	1	1
81120046KT	21	3	1
81120051KT	9	3	1
8120-6302	26	8	1
	31	14	1
81230003KT	18	1	1
81620008KT	3	0	1
81620012KT	2	25	1
	21	1	1
81620021KT	3	2	1
9320-1915	23	45	1
C4000-13402	32	1	1
C4000-13403	32	1	1
C4000-60007	23	46	1
	32	3	1
C4006A	1	8	N.A.
C4007A	1	9	N.A.
C4011A	1	1	N.A.
C4015A	1	2	N.A.

Part Number	Table	Item	Qty
C4675A	1	4	N.A.
C4676A	1	5	N.A.
C4677A	1	3	N.A.
C4682A	1	6	N.A.
C4683A	1	6	N.A.

